



HENDI

Tools for Chefs

MICROWAVE WITH GRILL

281710



You should read this user manual carefully before using the appliance.

Bevor Sie das Gerät in Betrieb nehmen, sollten Sie diese Gebrauchsanweisung aufmerksam lesen.

Alvorens de apparatuur in gebruik te nemen dient u deze gebruiksaanwijzing aandachtig te lezen.

Przed uruchomieniem urządzenia należy koniecznie dokładnie przeczytać niniejszą instrukcję obsługi.

Lisez attentivement ce mode d'emploi avant d'utiliser l'appareil .

Prima di utilizzare l'apparecchio in funzione leggere attentamente le istruzioni per l'uso.

Citiți cu atenție prezentul manual de utilizare înainte de folosirea aparatului.

Внимательно прочитайте руководство пользователя перед использованием прибора.

Πρέπει να διαβάσετε αυτές τις οδηγίες χρήσης προσεκτικά πριν χρησιμοποιήσετε τη συσκευή.

Před uvedením spotřebiče do provozu byste si měli pečlivě přečíst návod k použití.



Keep these instructions with the appliance.
Diese Gebrauchsanweisung bitte beim Gerät aufbewahren.
Bewaar deze handleiding bij het apparaat.
Zachowaj instrukcję urządzenia
Gardez ces instructions avec cet appareil.
Conservate le istruzioni insieme all'apparecchio.
Păstrați manualul de utilizare alături de aparat.
Хранить руководство вместе с устройством.
Φυλάξτε αυτές τις οδηγίες μαζί με τη συσκευή.
Tyto pokyny uschovejte u přístroje.




For indoor use only.
Nur zur Verwendung im Innenbereich.
Alleen voor gebruik binnenshuis.
Do użytku wewnątrz pomieszczeń.
Pour l'usage à l'intérieur seulement.
Destinato solo all'uso domestico.
Doar pentru uz la interior.
Использовать только в помещениях.
Για χρήση μόνο σε εσωτερικό χώρο.
Pouze pro vnitřní použití.



Dear Customer,

Thank you for purchasing this HENDI appliance. Read this manual carefully, paying particular attention to the safety regulations outlined below, before installing and using this appliance for the first time.

Safety regulations

- This appliance is intended for buffet and household use.
- Only use the appliance for the intended purpose it was designed for as described in this manual.
- The manufacturer is not liable for any damage caused by incorrect operation and improper use.
- Keep the appliance and electrical plug away from water and other liquids. In the event the appliance falls into water, immediately remove the power plug from the socket. Do not use the appliance until it has been checked by a certified technician. Failure to follow these instructions will cause life threatening risks.
- Never attempt to open the housing of the appliance by yourself.
- Do not insert objects into the housing of the appliance.
- Do not touch the plug with wet or damp hands.
-  **DANGER OF ELECTRIC SHOCK!** Do not attempt to repair the appliance by yourself, repairs are only to be conducted by qualified personnel.
- **Never use a damaged appliance!** When it's damaged, disconnect the appliance from the socket and contact the retailer.
- **WARNING!** Do not immerse the electrical parts of the appliance in water or other liquids.
- Never hold the appliance under running water.
- Regularly check the power plug and cord for any damage. When damaged it must be replaced by a service agent or similarly qualified person in order to avoid danger or injury.
- Make sure the cord does not come in contact with sharp or hot objects and keep it away from open fire. Never pull the power cord to unplug it from the socket, always pull the plug instead.
- Make sure that the power cord and/or extension cord do not cause a trip hazard.
- Never leave the appliance unattended during use.
- **WARNING!** As long as the plug is in the socket the appliance is connected to the power source.
- Turn off the appliance before unplugging it from the socket.
- Connect the power plug to an easily accessible electrical socket so that in case of emergency the appliance can be unplugged immediately.
- Never carry the appliance by the cord.
- Do not use any extra devices that are not supplied together with the appliance.
- Only connect the appliance to an electrical outlet with the voltage and frequency mentioned on the appliance label.

EN



- Never use accessories other than those recommended by the manufacturer. Failure to do so could pose a safety risk to the user and could damage the appliance. Only use original parts and accessories.
- This appliance should not be operated by persons with reduced physical, sensory or mental capabilities, or persons that have a lack of experience and knowledge.
- This appliance should, under any circumstances, not be used by children.
- Keep the appliance and its power cord out of reach of children.
- **WARNING:** ALWAYS switch off the appliance and unplug from power socket before cleaning, maintenance or storage.

Special safety regulations

- This appliance is intended for reheating, defrosting, grilling and cooking food or beverages. Drying of food or clothing and heating of warming pads, slippers, sponges, damp cloth and similar may lead to risk of injury, ignition of fire.
- Use the appliance only as described in this manual.
- This appliance is intended to be used in household and similar applications such as:
 - staff kitchen areas in shops, offices and other working environments;
 - farm houses;
 - by clients in hotels, motels and other residential environments;
 - bed and breakfast type environments.

EN



CAUTION! Hot surface! The temperature of the door and other accessible surface is very high during use. Touch the control panel only.

- Do not operate the appliance without food inside the oven cavity as it may damage the appliance.
- Only use utensils that are suitable for use in the microwave oven. Do not use containers or cutlery made from or containing metal, aluminium foil, lead crystal glassware, temperature-sensitive plastics, wood or metal clips or wire ties. Do not use bowls with milled rims or plastic pots with the lid partially removed. Risk of fire.
- When heating food in plastic or paper containers, keep an eye on the oven due to the possibility of ignition.
- If smoke is emitted, switch off or unplug the appliance and keep the door closed in order to stifle any flames.
- Never use this appliance without any food inside, it's very dangerous.
- Do not attempt to operate this microwave with the door open since this can result in harmful exposure to microwave energy. It is important not to break or bypass the safety interlocks.
- Eggs in their shells and whole hard-boiled eggs should not be heated in the microwave oven since they may explode, even after microwave heating has ended.



- **WARNING:** If the door or door seals are damaged, the appliance must not be operated until it has been repaired by a certified technician.
- **WARNING:** It is hazardous for anyone other than a certified technician to carry out any maintenance or repair operation that involves the removal of a cover which gives protection against exposure to microwave energy.
- **WARNING:** Liquid and other foods must not be heated in sealed containers since they are liable to explode.
- **WARNING:** The contents of feeding bottles and baby food jars shall be stirred or shaken and check the temperature before use to avoid burns.
- **WARNING:** Microwave heating of beverages can result in delayed eruptive boiling, therefore care must be taken when handling the container.
- The appliance is intended to be used freestanding. Do not block any vents. The information on adequate space (top / back / sides) for sufficient air circulation can be found in the "Before use" session.
- Dishes may get hot due to the heated food. Use oven gloves (not included) to take the food out of the appliance.
- The microwave oven should be cleaned regularly and any food deposits removed.
- If the appliance isn't maintained in a good state of cleanliness, it will lead to deterioration of the surface that could adversely affect the life of the appliance and possibly in a hazardous situation.
- Do not use the oven cavity for storage processes. Do not store items, such as bread, cookies, etc. inside the oven cavity.
- This microwave oven is not intended to be operated by means of an external timer or separate remote-control system.
- Place food inside the microwave cavity gently to avoid damage the glass turntable.
- **CAUTION!** Securely route the power cord if necessary in order to prevent unintentional pulling or contact with the heating surface.
- Do not wash the appliance with water. Washing can cause leakages and increase the risk of electric shock.
- Do not clean or store the appliance unless it is completely cooled down.
- No parts are dishwasher safe.

Intended use

- This appliance is intended for buffet and household use.
- The microwave is designed only for heating and defrosting of food products using appropriate dishes. Any other use may lead to damage to the microwave or personal injury.
- Operating the appliance for any other purpose shall be deemed a misuse of the device. The user shall be solely liable for improper use of the device.



Grounding installation

This appliance is classified as **protection class I** and must be connected to a protective ground. Grounding reduces the risk of electric shock by providing an escape wire for the electric cur-

rent. This appliance is fitted with a power cord that has a grounding wire and grounded plug. The plug must be plugged into an outlet that is properly installed and grounded.

Utensils

There may be certain non-metallic utensils that are not safe to use for this microwave. If in doubt, you can test the utensil following the below procedure.

Test of utensil:

Put a microwave safe container with 1 cup of cold water (about 250ml) together with the utensil inside the microwave. Cook on maximum power for 1 minute. Feel the utensil care-

fully. If the utensil becomes warm, DO NOT use it with the microwave. Do not cook the utensil over 1 minute.

Cooking utensils guide

Below a general guide to help you select suitable utensils:

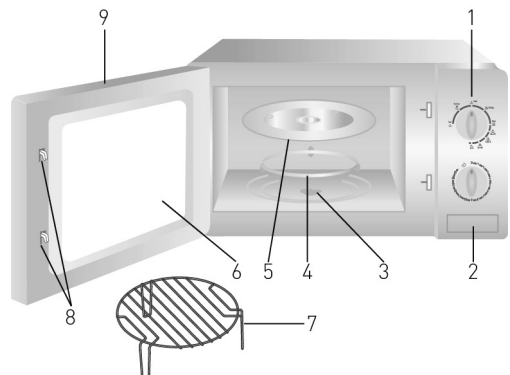
Cooking utensil	Microwave mode	Grill mode	Combination mode	Remark
Heat -resistant glass	√	√	√	
Non-heat-resistant glass	x	x	x	
Heat resistant ceramics	√	√	√	
Microwave-safe plastic dishes	√	x	x	Not suitable for high temp.
Kitchen paper	√	x	x	Short duration for warming only. Attended use.
Metal tray	x	√	x	Arcing occur if used in microwave.
Metal rack	x	√	x	
Aluminum foil and containers	x	√	x	

√: Suitable for use under the corresponding mode. Please follow the manufacturer's instruction and with the lid removed. Do not use if the surface is cracked or damaged.
x: Not suitable for use under the corresponding mode.

EN

Main parts of the appliance

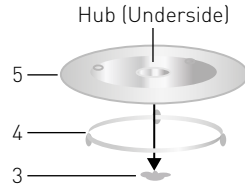
1. Control panel (See Fig.1)
2. Open door button
3. Turntable shaft
4. Turntable roller
5. Glass turntable
6. Glass window
7. Grill rack (Use in grill mode only)
8. Door locking mechanism
9. Door



Turntable installation

- Never place the glass turntable (5) upside down.
- Both the turntable roller (4) and glass turntable (5) must be used during cooking.
- All the food and beverages must be placed on the glass turntable (5) for cooking.
- Place the turntable roller (4), glass turntable (5) along vertical with the turntable shaft (3). Make sure they rotate smoothly.
- Clean the glass turntable (5) after each use.
- **ATTENTION:** DO NOT use the microwave if glass turntable (5) or turntable roller (4) cracks or damages, contact the supplier at once.

- Use only the supplied turntable roller (4) and glass turntable (5).



Preparations before using for the first time

- Remove all protective packaging and wrapping.
- Check if the appliance is undamaged. In case of incomplete delivery or damages. Contact the supplier and DO NOT use the appliance (See ==> Warranty).
- Keep the packaging if you intend to store your appliance in the future.
- Clean the appliance before use (See ==> Cleaning and Maintenance).
- Ensure the appliance is completely dry.
- Place the appliance on a horizontal, stable

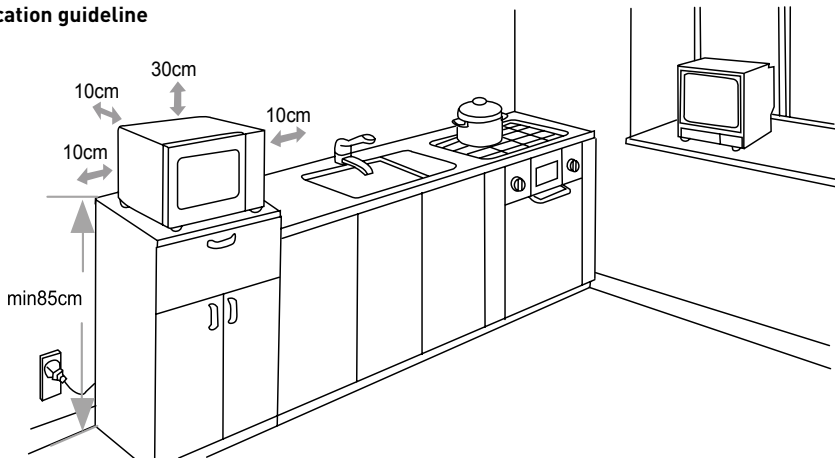
and heat resistant surface that is safe from water splashes.

- Do not place the appliance in close proximity to devices which are sensitive to disturbances by magnetic sources (e.g. radios, tape decks).

NOTE: Due to manufacturing residues, the appliance may emit a light odor during the first few uses. This is normal and does not indicate any defect or hazard. Make sure the appliance is well ventilated.

EN

Location guideline



Operation

- Place the microwave on a flat, stable, heat resistant and dry horizontal surface. Leave space for sufficient airflow:
 - above the microwave : 30 cm
 - at the back : 10 cm
 - on both sides : 10 cm
- Open the microwave door (9) by pressing the door release button (2).
- Put the turntable roller (4) and glass turntable (5) in the correct place. Otherwise, it cannot rotate smoothly. [See ==> Turntable installation].
- Connect the power plug to a suitable electrical supply outlet.

NOTES:

- Do not place the microwave where heat, moisture or high humidity are generated, or near combustible materials.

- Make sure the power cord is undamaged and does not run under the microwave or over any hot or sharp surfaces.
- The power plug must be readily accessible so that it can be easily disconnected in an emergency.
- ATTENTION:** The grill rack (7) can be only be used in Grill mode.
- The glass turntable (5) should be used in all modes: Microwave, grill and combination modes.
- Use suitable dishes when use with grill rack (7) to avoid touching the walls of the appliance.
- Place the food with container and close the door (9).

Setting Power level & Timer:

- Set the cooking power by turning the power knob to a desired power level on the control panel (1). (Microwave, combination or grill mode).
- Set the cooking time (Range: 0 min – 35 mins) by turning the timer knob to the desired cooking time.
- The microwave will start the cooking operation automatically after power and timer are set.
- After the set cooking time is elapsed, "Dong" sound will be heard and the cooking operation is finished.
- Now, you can take out the food. Use oven gloves if necessary (not included). Be careful of the hot surface.
- If not use the appliance, always set the timer to "0" position.

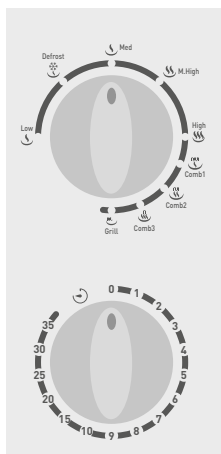


Fig. 1

Function	Approx. output power	Use of application
Low	120W	Soften ice-cream
Defrost	230W	Soup stew, soften butter or defrost
Med	385W	Stew, fish
M. High	540W	Rice, fish, chicken, minced meat
High	700W	Reheating milk, vegetables, boil water, beverage

NOTE: Above table showing the power level only refers to the microwave power output and not refer to the grill or power consumption of the appliance. The use of application is just for reference only.

Function	Operation	Use of application
Comb1	80% time: grill; 20% time: microwave	Grilling steaks, minced meat, kebabs, sausages and chicken parts.
Comb2	70% time: grill; 30% time: microwave	Chicken pieces, pork chops, fishes
Comb3	60% time: grill; 40% time: microwave	Puddings, omelettes, backed carrots and vegetables.
Grill	100% time: grill	Baked bread, sliced food

NOTE:

- Above table showing the operation during combination and grill mode.
- When taking out the food from the appliance, please ensure that the appliance is switched off by turning the Timer to the "0" position. Otherwise, it may cause damage to the appliance.
- Above 2 tables are just for reference only. Actual cooking time and power setting will vary based on desired cooking effect. Change individual cooking time and power setting manually if necessary.

Cooking tips

- This appliance can be opened at any time during the cooking process. It might be necessary, for example, to turn or stir food, or to check the food cooked thoroughly or not.
- Terminate the cooking process by setting the timer to the "0" position manually.
- Now, you can take out the food. Use oven gloves if necessary (not included). Be careful of the hot surface.
- If not use the appliance, always set the timer to "0" position.

Cleaning and Maintenance

ATTENTION: Always unplug the appliance from the electrical power outlet and let it cool down completely before cleaning & storage.

Cleaning

- Never immerse the appliance in water or other liquids.
- Clean the cooled exterior surface with a slightly damp cloth or sponge with some mild soap solution.
- Never use abrasive sponges or detergents, steel wool or metallic utensils to clean the interior or exterior parts of the appliance.
- The glass turntable (5) can be removed for cleaning. Take great care when cleaning the glass turntable (5) to avoid damages. Clean it using warm, soapy water.
- The turntable roller (4) and the bottom of the cavity should be cleaned regularly due to hygiene reason and to keep the turntable roller (4) running smoothly.
- The luminary inside the oven is replaceable. But it should be done by authorized technician.

Storage

- Before storage, always make sure the appliance has already been disconnected from the electrical outlet and cooled down completely.
- Store the appliance in a cool, clean and dry place.



Troubleshooting

If the appliance does not function properly, please check the below table for the solution. If you are still unable to solve the problem, please contact the supplier/service provider.

Problems	Possible cause	Possible solution
The appliance does not switch on.	<ul style="list-style-type: none">- Power plug is not connected properly with the electrical outlet.- Timer is set to "0" position.- Door (9) is not fully closed.	<ul style="list-style-type: none">- Check the power plug to make sure it is connected properly.- Set the timer to the desired cooking time.- Make sure the door (9) is closed and locked in place.
Glass turntable (4) makes noise during operation.	<ul style="list-style-type: none">- Glass turntable (5) not installed correctly.- Bottom of cavity is not flat due to some food residue left.	<ul style="list-style-type: none">- Make sure the glass turntable (5) installed correctly.- Clean the bottom of the cavity to make sure it is flat.

Technical specification

Item no.	281710
Operating voltage and frequency	230V~ 50Hz
Microwave frequency	2450 MHz
Rated input power (Microwave)	1050 W
Rated output power (Microwave)	700 W
Rated input power (Grill)	1000 W
Oven capacity	20 litres
Timer setting	0 min - 35 min
Protection class	class I
Dimension	440 x 330 x (H) 259 mm

REMARK: Technical specification is subjected to change without prior notification.

Warranty

Any defect affecting the functionality of the appliance which becomes apparent within one year after purchase will be repaired by free repair or replacement provided the appliance has been used and maintained in accordance with the instructions and has not been abused or misused in any way. Your statutory rights are not affected. If the appliance is claimed

under warranty, state where and when it was purchased and include proof of purchase (e.g. receipt).

In line with our policy of continuous product development we reserve the right to change the product, packaging and documentation specifications without notice.

Discarding & Environment

When decommissioning the appliance, the product must not be disposed of with other household waste. Instead, it is your responsibility to dispose to your waste equipment by handing it over to a designated collection point. Failure to follow this rule may be penalized in accordance with applicable regulations on waste disposal. The separate collection and recycling of your waste equipment at the time of disposal will help conserve natural resources

and ensure that it is recycled in a manner that protects human health and the environment.

For more information about where you can drop off your waste for recycling, please contact your local waste collection company. The manufacturers and importers do not take responsibility for recycling, treatment and ecological disposal, either directly or through a public system.



Sehr geehrter Kunde,

Vielen Dank für den Kauf dieses HENDI Gerat. Lesen Sie dieses Handbuch sorgfaltig und achten Sie besonders auf die unten aufgefuhrten Sicherheitsvorschriften, bevor Sie dieses Gerat zum ersten Mal installieren und verwenden.

Sicherheitsvorschriften


- Dieses Gerat ist fur den Buffet- und Haushaltsgebrauch bestimmt.
- Verwenden Sie das Gerat nur fur den vorgesehenen Zweck, fur den es entworfen wurde, wie in diesem Handbuch beschrieben.
- Der Hersteller haftet nicht fur Schaden, die durch fehlerhafte Bedienung und unsachgemae Verwendung verursacht werden.
- Halten Sie das Gerat und den elektrischen Stecker von Wasser und anderen Flussigkeiten fern. Falls das Gerat in Wasser fallt, entfernen Sie sofort den Netzstecker von der Steckdose. Verwenden Sie das Gerat erst, wenn es von einem zertifizierten Techniker uberpruft wurde. Die Nichtbefolgung dieser Anweisungen fuhrt zu lebensbedrohlichen Risiken.
- Versuchen Sie niemals, das Gehause des Gerats selbst zu offnen.
- Legen Sie keine Objekte in das Gehause der Appliance ein.
- Beruhren Sie den Stecker nicht mit nassen oder feuchten Handen.
-  **GEFAHR EINES ELEKTRISCHEN SCHLAGS!** Versuchen Sie nicht, das Gerat selbst zu reparieren, Reparaturen sind nur von qualifiziertem Personal durchzufuhren.
- **Verwenden Sie niemals ein beschadigtes Gerat!** Wenn es beschadigt ist, trennen Sie das Gerat von der Steckdose und wenden Sie sich an den Handler.
- **WARNUNG!** Tauchen Sie die elektrischen Teile des Gerats nicht in Wasser oder andere Flussigkeiten ein.
- Halten Sie das Gerat niemals unter flieendem Wasser.
- Uberprufen Sie regelmaig den Netzstecker und das Kabel auf Beschadigungen. Bei Beschadigung muss es durch einen Dienstleister oder eine ahnlich qualifizierte Person ersetzt werden, um Gefahren oder Verletzungen zu vermeiden.
- Stellen Sie sicher, dass das Kabel nicht mit scharfen oder heien Gegenstanden in Beruhung kommt und halten Sie es von offenem Feuer fern. Ziehen Sie niemals das Netzkabel, um es von der Steckdose zu trennen, ziehen Sie stattdessen immer den Stecker.
- Stellen Sie sicher, dass das Netzkabel und/oder das Verlangerungskabel keine Auslosegefahr verursachen.
- Lassen Sie die Appliance wahrend des Gebrauchs niemals unbeaufsichtigt.
- **WARNUNG!** Solange sich der Stecker in der Steckdose befindet, wird das Gerat an die Stromquelle angeschlossen.
- Schalten Sie die Appliance aus, bevor Sie sie vom Sockel trennen.
- Schlieen Sie den Netzstecker an eine leicht zugangliche Steckdose an, so dass das Gerat im Notfall sofort abgenommen werden kann.

DE



- Tragen Sie das Gerät niemals an der Schnur.
- Verwenden Sie keine zusätzlichen Geräte, die nicht zusammen mit der Appliance geliefert werden.
- Schließen Sie das Gerät nur an eine Steckdose mit der Spannung und Frequenz an, die auf dem Etikett des Gerätes angegeben ist.
- Verwenden Sie niemals anderes Zubehör als das vom Hersteller empfohlene Zubehör. Andernfalls könnte ein Sicherheitsrisiko für den Benutzer darstellen und das Gerät beschädigen. Verwenden Sie nur Originalteile und Zubehör.
- Dieses Gerät sollte nicht von Personen mit eingeschränkter körperlicher, sensorischer oder geistiger Leistungsfähigkeit oder von Personen mit mangelnder Erfahrung und Kenntnissnahme betrieben werden.
- Dieses Gerät sollte unter keinen Umständen von Kindern verwendet werden.
- Bewahren Sie das Gerät und das Netzkabel außerhalb der Reichweite von Kindern auf.
- **ACHTUNG:** Schalten Sie das Gerät immer aus und ziehen Sie es vor der Reinigung, Wartung oder Lagerung von der Steckdose ab.

Besondere Sicherheitsvorschriften

- Das Gerät dient ausschließlich zum Erhitzen, Auftauen, Grillen und Kochen von Lebensmitteln und Getränken. Das Trocknen von Lebensmitteln oder der Kleidung sowie das Erhitzen von Heizkissen, Hausschuhen, Schwämmen, feuchten Tüchern usw. kann zu Körperverletzungen oder zum Brand führen.
- Verwenden Sie das Gerät ausschließlich gemäß der vorliegenden Anleitung.
- Das Gerät darf in den Haushalten sowie in den folgenden Bereichen verwendet werden:
 - Küchen für die Mitarbeiter in Läden, Büros und anderen Arbeitsplätzen;
 - Bauernhäuser;
 - Küchen für die Gäste in Hotels, Motels und in anderen Wohnbereichen;
 - B&B-Hotels.
-  **ACHTUNG! Heiße Fläche!** Während des Betriebs des Geräts erwärmen sich die Tür und die anderen zugänglichen Flächen auf sehr hohe Temperaturen. Berühren Sie ausschließlich das Steuerpanel.
- Nehmen Sie das Gerät nicht in Betrieb, bevor Sie die Lebensmittel in die Mikrowelle nicht einlegen. Das kann zu ihrer Beschädigung führen.
- Zum Kochen/Erhitzen von Speisen im Gerät muss man ausschließlich solche Kochgeschirre benutzen, die sich für die Verwendung in Mikrowellen eignen. Verwenden Sie nicht die folgenden Gegenstände: Behälter oder Besteck aus oder mit Metall, Aluminiumfolie, Bleikristallglas, temperaturempfindliche Kunststoffe, Holz- oder Metallklammer oder Kabelbinder. Verwenden Sie keine Schalen mit Metallrand oder Plastiktöpfe, wenn der Deckel teilweise entfernt ist. Es besteht Feuergefahr.

- In Bezug auf das Zündrisiko muss man den Prozess des Erhitzens der in Kunststoff- oder Papierbehälter verpackten Lebensmittel beobachten.
- Beim Beobachten irgendeiner Rauchbildung muss man das Gerät ausschalten oder den Stecker aus der Netzsteckdose ziehen und nicht die Tür öffnen, denn dadurch erlischt das Feuer schneller.
- Ohne vorher eingelegte Lebensmittelprodukte darf die Mikrowelle nicht benutzt werden. Das ist sehr gefährlich.
- Nehmen Sie die Mikrowelle nicht in Betrieb, wenn die Tür geöffnet ist, da dies zu einer Energieeinwirkung in Form von Mikrowellenstrahlung führen kann. Ebenso darf an den Sicherheitsblockaden nicht manipuliert und sie nicht abgenommen werden.
- In der Mikrowelle darf man weder Eier in der Schale noch hart gekochte Eier erhitzen, weil sie explodieren können, sogar dann, wenn der Prozess des Erhitzens schon beendet wurde.
- **WARNUNG:** Wenn die Tür oder die Türabdichtungen beschädigt wurden, dürfen Sie die Mikrowelle bis zu ihrer Reparatur durch einen autorisierten Servicetechniker nicht benutzen.
- **WARNUNG:** Irgendwelche Service- oder Reparaturtätigkeiten, die auf der Beseitigung der Schutzschicht gegen die Einwirkung der Mikrowellenstrahlung beruhen und die durch andere Personen als der autorisierte Servicetechniker ausgeführt werden, sind gefährlich.
- **WARNUNG:** Flüssigkeiten oder andere Lebensmittelprodukte dürfen nicht in geschlossenen Behältern, Flaschen (usw.) erhitzt werden, da hierbei Explosionsgefahr besteht.
- **WARNUNG:** Um Verbrennungen zu vermeiden, muss man den Inhalt von Flaschen oder Gläsern mit Nahrungsmitteln für Säuglinge vor dem Gebrauch schütteln oder mischen sowie die Temperatur des Getränkes oder der Speise prüfen.
- **WARNUNG:** Das Erhitzen von Getränken in der Mikrowelle kann zu einem verzögerten heftigen Sieden führen. Beim Tragen des Behälters muss man deshalb vorsichtig sein.
- Das Gerät ist für den freistehenden Gebrauch bestimmt. Die Lüftungsöffnungen des Gerätes dürfen nicht blockiert werden. Die Informationen über die Menge des Raumes rundum das Gerät für eine ausreichende Luftzirkulation finden Sie im Kapitel „Vor Gebrauch“.
- Die Gefäße können durch das erhitze Essen heiß werden. Verwenden Sie Ofenhandschuhe (nicht im Lieferumfang enthalten), um das Lebensmittel aus dem Gerät zu nehmen.
- Die Mikrowelle muss man regelmäßig reinigen und die angesammelten Lebensmittelreste beseitigen.
- Befindet sich die Mikrowelle in keinem sauberen Zustand, dann kann dies zu einer Verschlechterung der Oberflächenbeschaffenheit führen, was wiederum die Lebensdauer des Gerätes negativ beeinflusst und Gefahrensituationen auftreten können.



- Benutzen Sie den Innenraum der Mikrowelle nicht als Lagerfläche. In der Mikrowelle dürfen solche Lebensmittel wie Brot, Kuchen (usw.) nicht aufbewahrt werden.
- Das Gerät ist für die Bedienung durch einen externen Timer oder ein gesondertes Fernsteuersystem nicht geeignet.
- Legen Sie Lebensmittel vorsichtig in die Mikrowelle ein, um eine Beschädigung des Glasdreh Tellers zu vermeiden.
- **ACHTUNG!** Führen und sichern Sie entsprechend das Stromkabel, um ein unbeabsichtigtes Ziehen oder Berühren der erhitzten Fläche zu vermeiden.
- Reinigen Sie das Gerät nicht mit Wasser. Beim Waschen des Geräts kann Wasser in den elektrischen Teil gelangen und so zu einem Stromschlag führen.
- Reinigen und stellen Sie das Gerät nicht am Lagerort ab, bis es nicht völlig abgekühlt ist.
- Die Teile des Geräts dürfen in der Spülmaschine nicht gereinigt werden.

Verwendungszweck

- Dieses Gerät ist für den Buffet- und Haushaltsgebrauch bestimmt.
- Die Mikrowelle ist nur zum Erwärmen und Auftauen von Lebensmitteln mit entsprechendem mikrowellen-geeigneten Geschirrtellen bestimmt. Jede andere Verwendung kann zur Beschädigung der Mikrowelle oder zu Personenschäden führen.
- Jede andere Verwendung des Gerätes gilt als nicht bestimmungsgemäß. Der Benutzer ist allein verantwortlich für die unsachgemäße Nutzung des Gerätes.

DE

Erdungsinstallation

Dieses Gerät ist als **Schutzklasse I** eingestuft und muss mit einer Schutzerde verbunden werden. Die Erdung reduziert das Risiko eines elektrischen Schlags, indem ein Fluchtkabel für den elektrischen Strom bereitgestellt wird.

Dieses Gerät ist mit einem Netzkabel mit einem Erdungskabel und einem geerdeten Stecker ausgestattet. Der Stecker muss in eine Steckdose gesteckt werden, die ordnungsgemäß installiert und geerdet ist.

Kochgeschirre

Die Verwendung einiger nichtmetallischer Kochgeschirre in der Mikrowelle kann gefährlich sein. Haben Sie Zweifel daran, ob das bestimmte Gefäß in der Mikrowelle verwendet werden kann, können Sie es nach dem folgenden Verfahren testen.

Test des Gefäßes:

Füllen Sie einen in der Mikrowelle zu testende Behälter mit 1 Glas kaltem Wasser (ca. 250 ml) und legen Sie das jeweilige Gefäß in die Mikrowelle ein. Erhitzen Sie es für 1 Minute bei maximaler Leistung.

Berühren Sie vorsichtig das getestete Gefäß. Wenn es warm ist, ist es NICHT für die Verwendung in der Mikrowelle geeignet. Erhitzen Sie das Gefäß nicht länger als 1 Minute.



Verzeichnis der Kochgeschirre

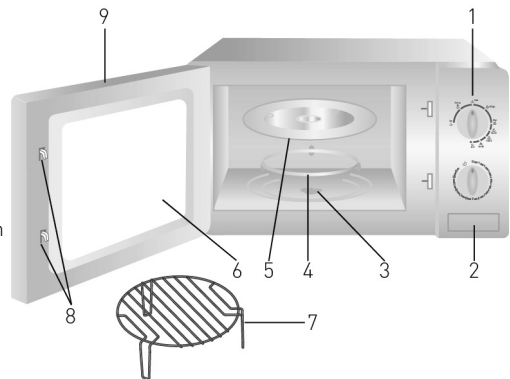
Aufgrund des nachfolgenden Verzeichnisses können Sie die entsprechenden Kochgeschirre wählen.

Gefäß	Standardmodus	Grillmodus	Mischmodus	Bemerkungen
Glas, beständig gegen die Einwirkung hoher Temperaturen	√	√	√	
Glas, nicht beständig gegen die Einwirkung hoher Temperaturen	x	x	x	
Keramik, beständig gegen die Einwirkung hoher Temperaturen	√	√	√	
Mikrowellene geeignete Gefäße aus Kunststoff	√	x	x	Bei hohen Temperaturen für die Verwendung nicht geeignet
Papierhandtücher	√	x	x	Ausschließlich ein kurzes Erhitzen unter Aufsicht des Nutzers
Metalltablets	x	√	x	Während des Funktionsbetriebes entstehen die Funken.
Metallrost	x	√	x	
Aluminiumfolie und -behälter	x	√	x	

√: Zugelassene Anwendung im jeweiligen Modus. Verwenden Sie das Gerät ausschließlich gemäß der Anleitung des Herstellers; denken Sie daran, dass Sie den Deckel entfernen müssen, wenn das Gefäß ihn besitzt. Wenn die Oberfläche des Gefäßes Risse oder Beschädigungen aufweist, legen Sie es in die Mikrowelle nicht ein.
x: Im jeweiligen Modus für die Verwendung nicht geeignet.

Hauptteile des Gerätes

1. Steuerpanel (siehe Abb. 1)
2. Taste für die Türöffnung
3. Drehtellerwelle
4. Drehelement
5. Glasdrehteller
6. Glasfenster
7. Grillrost (für den Gebrauch ausschließlich im Grillmodus)
8. Türschließmechanismus
9. Tür



DE

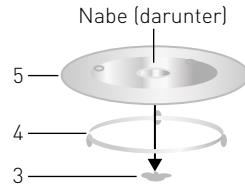


Montage des Drehtellers

- Stellen Sie den Glasdrehteller (5) niemals auf den Kopf.
- Während des Betriebs des Geräts müssen sowohl das Drehelement (4) als auch der Glasdrehteller (5) verwendet werden.
- Alle Speisen und Getränke müssen auf den Glasdrehteller (5) gelegt werden.
- Bringen Sie das Drehelement (4) und den Glasdrehteller (5) senkrecht zur Drehtellerwelle (3) an. Stellen Sie sicher, dass sich das Element und der Teller leicht drehen.
- Reinigen Sie den Drehteller (5) nach jedem Gebrauch.
- **ACHTUNG:** Verwenden Sie die Mikrowelle NICHT, wenn der Glasdrehteller (5) oder das

Drehelement (4) Risse oder andere Beschädigungen aufweist - in einem solchen Fall muss man sich sofort mit dem Lieferanten in Verbindung setzen.

- Verwenden Sie nur das Drehelement (4) und den Glasdrehteller (5), die mitgeliefert wurden.



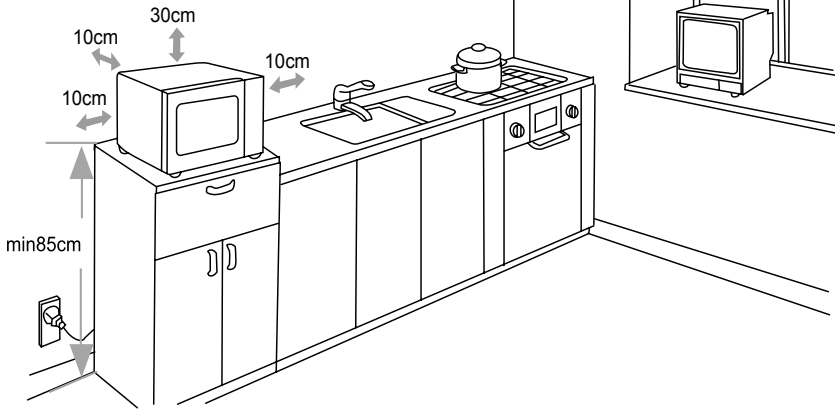
Vorbereitungen vor dem erstmaligen Gebrauch

- Entfernen Sie alle Schutz- und sonstigen Verpackungen.
- Vergewissern Sie sich, dass das Gerät unbeschädigt ist. Im Falle einer unvollständigen Lieferung (z.B. Deckel, Frittierkorb und Gitter sind enthalten) oder vorhandenen Schäden, wenden Sie sich an den Lieferanten (siehe ==> Garantie).
- Bewahren Sie die Verpackung auf, wenn Sie Ihr Gerät in Zukunft lagern wollen.
- Reinigen Sie das Gerät vor dem Gebrauch (siehe ==> Reinigung und Wartung).
- Es ist auch zu prüfen, ob das Gerät völlig trocken ist.
- Stellen Sie das Gerät auf einer waagerechten, stabilen, trockenen und hitzebeständigen Oberfläche ab.

- Platzieren Sie das Gerät nicht in der Nähe von Geräten, die empfindlich auf Störungen durch magnetische Quellen (z.B. Radios, Tape-Decks usw.) reagieren.

HINWEIS: Aufgrund von Herstellungsrückständen kann das Gerät in den ersten Zyklen einen leichten Geruch entwickeln. Dies ist normal und deutet nicht auf einen Fehler oder eine Gefahr hin. Vergewissern Sie sich, dass das Gerät eine gute Belüftung hat. rvoor dat het apparaat goed wordt geventileerd.

Standorthinweise



Bedienung

- Stellen Sie das Gerät auf eine ebene, stabile, trockene Fläche, die gegen die Einwirkung hoher Temperaturen beständig ist. Um eine richtige Luftzirkulation zu gewährleisten, lassen Sie einen Freiraum rundum das Gerät nach den folgenden Anweisungen:
 - über der Mikrowelle: 30 cm
 - hinter der Mikrowelle: 10 cm
 - auf beiden Seiten der Mikrowelle: 10 cm
- Öffnen Sie die Tür (9) der Mikrowelle, indem Sie die Taste für die Türöffnung (2) drücken.
- Bringen Sie das Drehelement (4) und den Glasdrehsteller (5) an der richtigen Stelle an. Die Anbringung der obigen Teile an der nicht richtigen Stelle kann zum Blockieren der Drehung des Tellers (5) führen. (Siehe ==> Montage des Drehtellers).
- Schließen Sie den Stecker an die entsprechende Steckdose an.

HINWEIS:

- Legen Sie die Mikrowelle nicht an den Stellen, an denen die Wärme emittiert wird oder die sehr feucht sind, sowie in der Nähe von leichtbrennbaren Materialien.
- Vergewissern Sie sich, dass das Stromkabel nicht beschädigt ist sowie unter der Mikrowelle oder über den scharfen oder erhitzten Oberflächen nicht geführt wurde.
- Das Stromkabel muss an die Steckdose angeschlossen werden, die leicht zugänglich sein muss, damit das Gerät im Notfall sofort getrennt werden kann.
- **ACHTUNG:** Der Grillrost (7) darf ausschließlich im Grillmodus verwendet werden.
- Der Drehteller (5) sollte in jedem Modus verwendet werden, d.i.: im Standard-, Grill- und Mischmodus.
- Bei der Nutzung des Grillrostes (7) sind die entsprechenden Gefäße zu verwenden, und zwar so, dass sie nicht die Wände des Geräts berühren.
- Legen Sie die Lebensmittel in ein entsprechendes Gefäß und schließen Sie die Tür (9).

DE



Einstellung der Leistung und des Timers:

- Stellen Sie die Leistung des Geräts ein, indem Sie den Drehknopf im Steuerpanel (1) auf die gewählte Leistung drehen. (Standard-, Grill- und Mischmodus).
- Stellen Sie die Betriebszeit (Bereich: 0 Min. ~ 35 Min.) ein, indem Sie den Timer-Drehknopf auf den gewählten Wert drehen.
- Das Mikrowellengerät startet automatisch nach dem Einstellen der Leistung und der Zeit.
- Nach Ablauf der eingestellten Zeit wird ein Signalton emittiert und das Gerät unterbricht den Betrieb.
- Man kann die Lebensmittel aus dem Gerät herausnehmen. Falls notwendig, verwenden Sie Ofenhandschuhe (nicht im Lieferumfang enthalten). Achten Sie auf die heiße Fläche des Geräts.
- Wenn das Gerät nicht verwendet wird, stellen Sie den Timer auf „0“ ein.

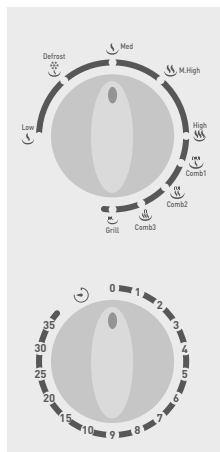


Abb. 1

DE

Funktion	Geschätzte Ausgangsleistung	Verwendung
Niedrige Leistung	120 W	Leichtes Auftauen von Eis
Auftauen	230 W	Aufwärmen von Suppen, Aufweichen von Butter oder Auftauen
Mittlere Leistung	385 W	Zubereitung von Gulasch, Fisch
Mittelhohe Leistung	540 W	Zubereitung von Reis, Fisch, Hähnchen, Hackfleisch
Hohe Leistung	700 W	Aufwärmen von Milch, Gemüse, Kochen von Wasser und Erhitzen anderer Getränke

HINWEIS: : Die obige Tabelle bestimmt nur die Ausgangsleistungsstufe des Mikrowellengeräts und nicht die Leistungsstufe des Grills oder die Leistungsaufnahme des Geräts. Die obigen Daten dienen lediglich Informationszwecken.

Funktion	Programm	Verwendung
Mischmodus 1	80% der Zeit: Grillmodus; 20% der Zeit: Standardmodus;	Grillen von Steaks, Hackfleisch, Kebabs, Wurst und Hühnerteilen
Mischmodus 2	70% der Zeit: Grillmodus; 30% der Zeit: Standardmodus	Hühnerteile, Schweinsrücken, Fische
Mischmodus 3	60% der Zeit: Grillmodus; 40% der Zeit: Standardmodus	Puddings, Omelette, gebackene Karotten und anderes Gemüse
Grillmodus	100% der Zeit: Grillmodus	Gebackenes Brot, geschnittene Lebensmittel

HINWEIS:

1. Die obige Tabelle stellt das Programm zum Mischen des Standard- und Grillmodus dar.
2. Wenn Sie Lebensmittel aus dem Gerät herausnehmen, stellen Sie sicher, dass das

Gerät ausgeschaltet ist (der Timer ist auf „0“ eingestellt). Andernfalls kann das Gerät während des Herausnehmens der Lebensmittel beschädigt werden.



3. Die obigen Tabellen dienen lediglich Informationszwecken. Die tatsächliche Zeit für die Nahrungszubereitung und die Leistungseinstellung hängt vom gewünschten

Effekt ab. Falls notwendig, ändern Sie manuell die Zeit für die Nahrungszubereitung und die Leistungseinstellung.

Hinweise zur Nahrungszubereitung in der Mikrowelle

- Falls notwendig, kann das Gerät jederzeit während seines Betriebs geöffnet werden, um zum Beispiel die Lebensmittel zu wenden oder umzurühren oder den Zustand ihrer Zubereitung zu überprüfen.
- Um den Prozess der Nahrungszubereitung zu beenden, stellen Sie den Timer-Drehknopf auf „0“ ein.
- Man kann die Lebensmittel aus dem Gerät herausnehmen. Falls notwendig, verwenden Sie Ofenhandschuhe (nicht im Lieferumfang enthalten). Achten Sie auf die heiße Fläche des Geräts.
- Wenn das Gerät nicht verwendet wird, stellen Sie den Timer auf „0“ ein.

Reinigung und Wartung

HINWEIS: Vor dem Reinigen und Abstellen des Geräts am Lagerort, ist das Gerät immer von der Netzsteckdose zu trennen und dazu muss man abwarten, bis es abgekühlt ist.

Reinigung

- Tauchen Sie das Gerät nie in Wasser und andere Flüssigkeiten.
- Nach dem Abkühlen der Oberfläche ist sie mit einem feuchten Tuch oder Schwamm mit einer geringen Menge eines milden Reinigungsmittels zu reinigen.
- Verwenden Sie weder aggressive Reinigungsmittel und Scheuerschwämme, noch Schwämme aus Stahlwolle oder Metallgegenstände zur Reinigung des Innenraums und der äußeren Teile des Geräts.
- Der Drehteller (5) kann zur Reinigung herausgenommen werden. Bei der Reinigung des Drehtellers (5) muss man besonders vorsichtig sein, um seine Beschädigung zu vermeiden. Reinigen Sie den Teller mit warmem Seifenwasser.
- Reinigen Sie regelmäßig das Drehelement (4) und den Boden der Mikrowellenkammer aus hygienischen Gründen, und um die richtige Drehung des Elements (4) zu gewährleisten.
- Die Lampe innerhalb der Mikrowellenkammer kann man austauschen, jedoch sollte diese Tätigkeit durch einen qualifizierten Servicetechniker ausgeführt werden.

Lagerung

- Bevor das Gerät am Lagerort abgestellt wird, muss man sich sicherstellen, dass das Gerät von der Netzsteckdose getrennt wurde und völlig abgekühlt ist.
- Lagern Sie das Gerät an einem kühlen, sauberen und trockenen Ort.

DE



Diagnostik

Wenn das Gerät nicht richtig funktioniert, muss man sich zum Finden der richtigen Lösung mit der nachfolgenden Tabelle vertraut machen. Wenn Sie das Problem nicht lösen können, dann setzen Sie sich bitte mit dem Lieferanten in Verbindung.

Problem	Mögliche Ursache	Mögliche Lösung
Das Gerät schaltet sich nicht ein.	<ul style="list-style-type: none">- Der Stecker ist an die Netzsteckdose nicht richtig angeschlossen.- Der Timer ist auf „0“ eingestellt.- Die Tür (9) der Mikrowelle wurde nicht richtig geschlossen.	<ul style="list-style-type: none">- Überprüfen Sie, ob der Stecker an die Netzsteckdose richtig angeschlossen ist.- Stellen Sie den Timer-Drehknopf auf den gewählten Wert ein.- Prüfen, ob die Tür (9) richtig geschlossen ist.
Während des Betriebs des Geräts erzeugt der Glasdrehteller (5) laute Geräusche.	<ul style="list-style-type: none">- Der Glasdrehteller (5) wurde nicht richtig montiert.- Am Boden der Mikrowellenkammer sind die Essensreste geblieben, wodurch die Fläche nicht eben ist.	<ul style="list-style-type: none">- Prüfen Sie, ob der Glasdrehteller (5) richtig montiert wurde.- Reinigen Sie den Boden der Mikrowellenkammer, indem Sie alle Reste entfernen, die die Bewegung des Tellers verhindern.

Technische Spezifikation

Bestellnummer	281710
Betriebsspannung und -frequenz	230V~ 50Hz
Mikrowellenfrequenz	2450 MHz
Nominale Leistungsaufnahme (Standardmodus)	1050 W
Nominale Ausgangsleistung (Standardmodus)	700 W
Nominale Leistungsaufnahme (Grillmodus)	1000 W
Volumen der Kammer der Mikrowelle	20 Liter
Zeiteinstellbereich des Timers	0 min ~ 35 min
Schutzklasse	Klasse I
Abmessungen	440 x 330 x (H) 259 mm

HINWEIS: Die technische Spezifikation kann ohne Vorankündigung verändert werden.

Garantie

Alle innerhalb von einem Jahr nach dem Kaufdatum festgestellten Defekte oder Mängel, die die Funktionalität des Gerätes beeinträchtigen, werden auf dem Wege der unentgeltlichen Reparatur bzw. des Austausches unter der Voraussetzung beseitigt, dass das Gerät in einer der Bedienungsanleitung gemäßen Art und Weise betrieben und gewartet wird und weder vorsätzlich vernichtet noch nicht bestimmungsgemäß genutzt wurde. Ihre Rechte aus den entsprechenden Gesetzen bleiben davon unberührt. Eine in der

Garantiefrist einzureichende Beanstandung hat die Angabe des Kaufortes und Kaufdatums und in der Anlage einen Kaufbeleg (z.B. Kassenzettel) zu enthalten.

Gemäß unserer Politik der ständigen Weiterentwicklung unserer Produkte behalten wir uns vor, Änderungen am Produkt, an seiner Verpackung und an den dokumentierten technischen Daten ohne vorherige Ankündigung vorzunehmen.



Entsorgung und Umweltschutz

Wird das Gerät außer Betrieb genommen, darf es nicht über den Hausmüll entsorgt werden. Der Benutzer ist für die Übergabe des Gerätes an eine geeignete Sammelstelle für Altgeräte verantwortlich. Die Nichteinhaltung dieser Regel kann gemäß den geltenden Vorschriften über die Abfallentsorgung bestraft werden. Die getrennte Sammlung und das Recycling der Altgeräte trägt zur Schonung der natürlichen Ressourcen bei und sorgt für eine umwelt- und gesundheitsschonende Verwertungsweise.

Weitere Informationen darüber, wo Sie Ihre Altgeräte entsorgen können, erhalten Sie bei Ihrem örtlichen Entsorgungsunternehmen. Der Hersteller und der Importeur übernehmen keine Verantwortung für das Recycling sowie die umweltfreundliche Verwertung von Abfällen, weder direkt noch über ein öffentliches System.



Geachte klant,

Bedankt voor de aanschaf van dit Hendi apparaat. Lees deze handleiding zorgvuldig door, met bijzondere aandacht voor de onderstaande veiligheidsvoorschriften, voordat u dit apparaat voor de eerste keer installeert en gebruikt.

Veiligheidsvoorschriften

- Dit apparaat is bedoeld voor buffet en huishoudelijk gebruik.
- Gebruik het apparaat alleen voor het beoogde doel waarvoor het is ontworpen, zoals beschreven in deze handleiding.
- De fabrikant is niet aansprakelijk voor enige schade veroorzaakt door onjuist gebruik en onjuist gebruik.
- Houd het apparaat en de stekker uit de buurt van water en andere vloeistoffen. Als het apparaat in water valt, haal dan onmiddellijk de stekker uit het stopcontact. Gebruik het apparaat niet totdat het is gecontroleerd door een gecertificeerde technicus. Het niet volgen van deze instructies zal levensbedreigende risico's veroorzaken.
- Probeer nooit de behuizing van het apparaat zelf te openen.
- Plaats geen objecten in de behuizing van het apparaat.
- Raak de stekker niet aan met natte of vochtige handen.
-  **GEVAAR VOOR EEN ELEKTRISCHE SCHOK!** Probeer het apparaat niet zelf te repareren, reparaties mogen alleen worden uitgevoerd door gekwalificeerd personeel.
- **Gebruik nooit een beschadigd apparaat!** Wanneer het apparaat beschadigd is, koppelt u het apparaat los van het stopcontact en neemt u contact op met de detailhandelaar.
- **WAARSCHUWING!** Dompel de elektrische onderdelen van het apparaat niet onder in water of andere vloeistoffen.
- Houd het apparaat nooit onder stromend water.
- Controleer regelmatig de stekker en het snoer op eventuele schade. Bij beschadiging moet het worden vervangen door een serviceagent of een gelijkwaardig gekwalificeerd persoon om gevaar of letsel te voorkomen.
- Zorg ervoor dat het snoer niet in contact komt met scherpe of hete voorwerpen en houd het uit de buurt van open vuur. Trek nooit aan het netsnoer om het uit het stopcontact te halen, trek altijd aan de stekker.
- Zorg ervoor dat het netsnoer en/of het verlengsnoer geen struikelgevaar veroorzaken.
- Laat het apparaat nooit onbeheerd achter tijdens het gebruik.
- **WAARSCHUWING!** Zolang de stekker in het stopcontact zit, is het apparaat aangesloten op de stroombron.
- Schakel het toestel uit voordat u het uit het stopcontact haalt.

NL



- Sluit de stekker aan op een gemakkelijk toegankelijk stopcontact, zodat het apparaat in geval van nood onmiddellijk kan worden losgekoppeld.
- Draag het apparaat nooit bij het snoer.
- Gebruik geen extra apparaten die niet samen met het apparaat worden geleverd.
- Sluit het apparaat alleen aan op een stopcontact met de spanning en frequentie vermeld op het etiket van het apparaat.
- Gebruik nooit andere accessoires dan die welke door de fabrikant worden aanbevolen. Als u dit niet doet, kan dit een veiligheidsrisico vormen voor de gebruiker en kan het apparaat beschadigen. Gebruik alleen originele onderdelen en accessoires.
- Dit apparaat mag niet worden gebruikt door personen met verminderde fysieke, zintuiglijke of mentale vermogens, of personen met een gebrek aan ervaring en kennis.
- Dit apparaat mag in geen geval door kinderen worden gebruikt.
- Houd het apparaat en het netsnoer buiten het bereik van kinderen.
- **WAARSCHUWING:** schakel het apparaat **ALTIJD** uit en haal de stekker uit het stopcontact voor reiniging, onderhoud of opslag.

Bijzondere veiligheidsvoorschriften

- Dit apparaat is bedoeld voor het opwarmen, ontdooien, grillen en koken van voedsel of drank. Het drogen van voedsel of kleding en het opwarmen van verwarmingskussens, slippers, sponzen, vochtige doeken en gelijksoortige voorwerpen kunnen leiden tot risico op letsel, ontbranding of brand.
- Gebruik het apparaat alleen zoals beschreven in deze handleiding.
- Dit apparaat is bedoeld voor huishoudelijk gebruik en in omgevingen zoals
 - personeelskeukens in winkels, kantoren en andere werkomgevingen;
 - boerderijen;
 - voor gasten in hotels, motels en andere residentiële omgevingen;
 - bed-and-breakfast-accommodatie.



LET OP! Heet oppervlak! De temperatuur van de deur en andere bereikbare oppervlakken is zeer hoog tijdens gebruik. Raak alleen het bedieningspaneel aan.

- Gebruik het apparaat niet als er geen voedsel in de ovenruimte is geplaatst, omdat dit kan leiden tot schade aan het apparaat.
- Gebruik alleen keukengerei dat geschikt is voor gebruik in magnetronovens. Gebruik geen containers of bestek gemaakt van of die volgende materialen bevat: metaal, aluminiumfolie, glaswaar van loodkristal, temperatuur gevoelig kunststof, hout, metalen clips of binddraad. Gebruik geen kommen met gefreesde randen of kunststof pannen met het deksel slechts gedeeltelijk verwijderd. Brandgevaar.
- Als u voedingsmiddelen in kunststof of papieren containers verhit, houd de oven in de gaten vanwege brandgevaar.



- Als rook wordt waargenomen, schakel het apparaat uit of haal de stekker uit het stopcontact en houd de deur gesloten om elke mogelijke vlam te doven.
- Gebruik dit apparaat nooit als er geen voedsel in het apparaat is geplaatst, dit is zeer gevaarlijk.
- Probeer deze magnetron niet te gebruiken indien de deur is geopend, omdat dit kan leiden tot schadelijke blootstelling aan magnetronenergie. Het is belangrijk om de veiligheidsmechanismen niet kapot te maken of te omzeilen.
- Het bereiden van gekookte eieren in de schaal in de magnetron kan ontploffingsgevaar veroorzaken, zelfs nadat de magnetron het opwarmen heeft voltooid.
- **WAARSCHUWING:** Als de deur of de deurekoppelingen beschadigd zijn, mag de oven niet worden gebruikt totdat deze door een gekwalificeerd persoon worden gerepareerd.
- **WAARSCHUWING:** Het is gevaarlijk voor ieder niet gekwalificeerd persoon om reparaties of onderhoud uit te voeren waarbij de plaat, die ons beschermt tegen blootstelling aan magnetronenergie, verwijderd wordt.
- **WAARSCHUWING:** Verwarm geen vloeistoffen of andere voedingsmiddelen in afgesloten containers want deze kunnen ontploffen.
- **WAARSCHUWING:** Roer of schud de inhoud van babypotjes en zuigflessen en de temperatuur moet voor gebruik worden gecontroleerd om brandwonden te voorkomen.
- **WAARSCHUWING:** Het verhitten van dranken in de magnetron kan leiden tot een vertraagd kookproces, wees dus voorzichtig bij het uitnemen van de houder.
- Gebruik het apparaat in een vrijstaande positie. Zorg dat de ventilatieopeningen van de oven niet worden belemmerd. Informatie over de juiste vrije ruimte (boven-/achter-/zijkant) voor voldoende luchtcirculatie kan in de paragraaf "Voor gebruik" worden gevonden.
- Borden kunnen warm worden door het verwarmde voedsel. Gebruik ovenhandschoenen (niet meegeleverd) om het voedsel uit het apparaat te halen.
- De magnetronoven moet regelmatig worden gereinigd en alle voedselresten moeten worden verwijderd.
- Als het apparaat niet in goed wordt onderhouden, kan dit leiden tot een verslechtering van het oppervlak. Het kan het de levensduur van het apparaat negatief beïnvloeden en mogelijk leiden tot een gevaarlijke situatie.
- Gebruik de ovenruimte niet voor het opslaan van voedsel. Bewaar geen voorwerpen als brood, koekjes, etc. in de ovenruimte.
- Deze magnetronoven is niet bedoeld om gebruikt te worden in combinatie met een externe timer of apart afstandsbedieningssysteem.
- Plaats voedsel voorzichtig in de magnetron om schade aan de glazen draaiplaat te voorkomen.
- **LET OP!** Plaats het netsnoer indien nodig op een veilige manier om te voorkomen

dat het in contact kon komen met het verwarmingsoppervlak en dat er per ongeluk aan het netsnoer kan worden getrokken.

- Was het apparaat niet met water. Wassen met water kan lekkage veroorzaken en het risico op elektrische schokken verhogen.
- Niet reinigen of opbergen tenzij het apparaat volledig is afgekoeld.
- Geen van de onderdelen zijn vaatwasmachinebestendig.

Bedoeld gebruik

- Dit apparaat is bedoeld voor buffet en huishoudelijk gebruik.
- De magnetron is ontworpen voor het ontdooien en verwarmen van voedsel, gebruik enkel geschikte borden/bakken. Elk ander gebruik kan leiden tot schade aan de magnetron of persoonlijk letsel.
- Gebruik van het apparaat voor andere doeleinden wordt beschouwd als verkeerd gebruik van het apparaat. De gebruiker is volledig aansprakelijk voor alle risico's die voortvloeien uit verkeerd gebruik van het apparaat.

Aarding installatie

Dit apparaat is geclassificeerd als **beschermingsklasse I** en moet op een beschermende grond worden aangesloten. Aarding vermindert het risico op elektrische schokken door een ontsnappingsdraad voor de elektrische

stroom aan te bieden. Dit apparaat is uitgerust met een netsnoer met een aardingsdraad en geaarde stekker. De stekker moet worden aangesloten op een stopcontact dat correct is geïnstalleerd en geaard.

Keukengerei

Er bestaat niet-metalen keukengerei dat niet geschikt is voor gebruik in een magnetron. In geval van twijfel kunt u het keukengerei testen met behulp van de onderstaande procedure.

Test voor keukengerei:

Vul een container die geschikt is voor gebruik in de magnetron met 1 kopje koud water (ca. 250ml) en leg het keukengerei in kwestie erin. Verwarm gedurende 1 minuut met het maximale vermogen. Raak het keukengerei voor-

zichtig aan en voel of het warm is geworden. Als het keukengerei warm is geworden, gebruik het dan NIET in de magnetron. Verwarm het keukengerei niet langer dan 1 minuut.



Keukengeri-gids

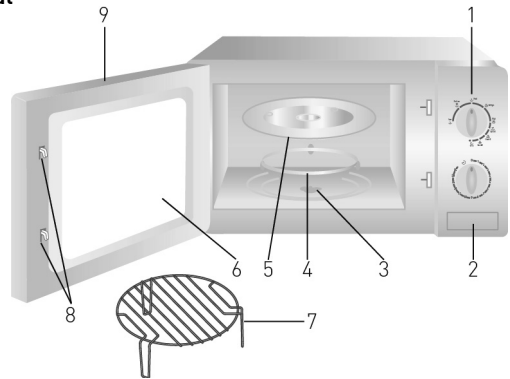
Hieronder vindt u een algemene gids om te helpen geschikt keukengeri te selecteren:

Keukengeri	Magnetron-modus	Grill-modus	Combinatie-modus	Opmerking
Hittebestendig glas	✓	✓	✓	
Niet-hittebestendig glas	x	x	x	
Hittebestendig keramiek	✓	✓	✓	
Magnetronbestendige, kunststof borden	✓	x	x	Niet geschikt voor hoge temperatuur.
Keukenpapier	✓	x	x	Korte duur alleen voor opwarmen. Houd toezicht.
Metalen schaal	x	✓	x	Er ontstaan vonken bij gebruik in magnetronmodus.
Metalen rek	x	✓	x	
Aluminiumfolie en bakjes uit folie	x	✓	x	

✓: Geschikt voor gebruik in bijbehorende modus. Volg de instructies van de fabrikant en verwijder het deksel.
 Gebruik niet indien oppervlak is gebarsten of beschadigd.
 x: Niet geschikt voor gebruik in bijbehorende modus.

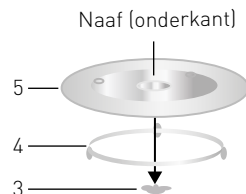
Belangrijkste onderdelen van het apparaat

1. Bedieningspaneel (zie Fig. 1)
2. Knop voor openen deur
3. As draaiplaat
4. Draaiplateau
5. Glazen draaiplaat
6. Glazen venster
7. Grillrek (alleen gebruiken in grillmodus)
8. Deurvergrendelingsmechanisme
9. Deur



Installatie draaiplaat

- Plaats de glazen draaiplaat (5) nooit ondersteboven.
 - Zowel het draaiplateau (4) als de glazen draaiplaat (5) moeten worden gebruikt tijdens het koken.
 - Alle voedsel en drank moeten op de glazen draaiplaat (5) worden geplaatst om het te koken.
 - Plaats het draaiplateau (4) en de glazen draaiplaat (5) samen met de as van de draaiplaat (3) in de magnetron. Zorg ervoor dat ze soepel kunnen draaien.
 - Reinig de glazen draaiplaat (5) na elk gebruik.
- **LET OP:** Gebruik de magnetron NIET indien de glazen draaiplaat (5) of t draaiplateau (4) is gebarsten of beschadigd, maar neem onmiddellijk contact op met de leverancier.
 - Gebruik alleen het meegeleverde draaiplateau (4) en glazen draaiplaat (5).



Vorbereidingen voor het eerste gebruik

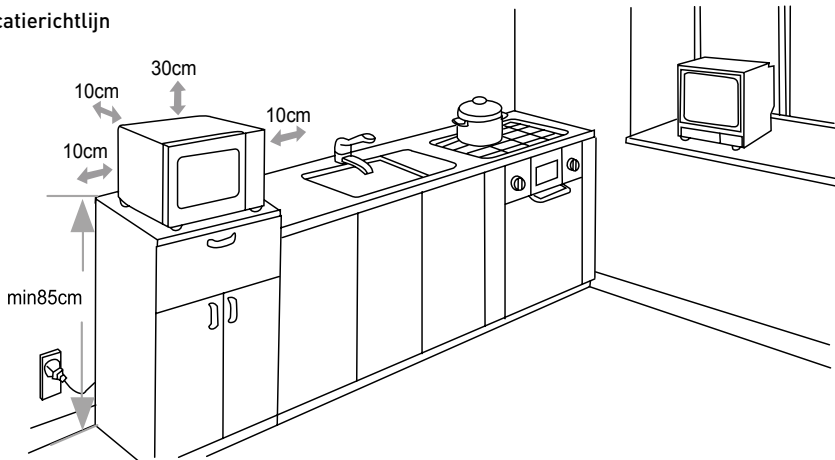
- Verwijder alle verpakkingsmaterialen.
- Controleer of het apparaat niet is beschadigd. Neem in geval van schade of een onvolledige levering contact op met uw leverancier (Zie ==> Garantie).
- Bewaar de verpakking als u uw apparaat in de toekomst wilt opbergen.
- Reinig het apparaat vóór gebruik (Zie ==> Reiniging en onderhoud).
- Zorg ervoor dat het apparaat volledig droog is.
- Plaats het apparaat op een horizontaal, stabiel en hittebestendig oppervlak dat bestand

is tegen waterspatten.

- Plaats het apparaat niet dicht in de buurt bij apparaten die gevoelig zijn voor storingen veroorzaakt door magnetische bronnen (bijv. radio's, cassettespelers).

OPMERKING: Door fabricageresten kan het apparaat de eerste gebruikscyclus een lichte geur afgeven. Dit is normaal en duidt niet op een defect of gevaar. Zorg ervoor dat het apparaat goed wordt geventileerd.

Locatierichtlijn



NL

Bediening

- Plaats de magnetron op een vlakke, stabiele, hittebestendige, droge en horizontale ondergrond. Laat ruimte vrij rond het apparaat voor voldoende ventilatie:
 - boven de magnetron: 30 cm
 - aan de achterkant: 10 cm
 - aan beide zijken: 10 cm
- Open de magnetrondeur (9) door op de knop voor het openen van de deur (2) te drukken.
- Plaats het draaiplateau (4) en de glazen draaiplaat (5) op de juiste plaats. Als u dit niet doet, kunnen ze niet soepel draaien. (Zie ==> Installatie draaiplaat).
- Steek de stekker in een geschikt stopcontact.

of in de buurt van brandbare materialen.

- Zorg dat het netsnoer niet beschadigd is en leg het netsnoer niet onder de oven of op een heet of scherp oppervlak.
- De stekker moet eenvoudig bereikbaar zijn zodat deze in geval van nood snel uit het stopcontact kan worden getrokken.
- **LET OP:** Het grillrek (7) mag alleen worden gebruikt in de grillmodus.
- De glazen draaiplaat (5) moet in alle modi worden gebruikt: In de magnetron-, grill- en combinatiemodus.
- Gebruik geschikte borden als u gebruik maakt van het grillrek (7) en zorg ervoor dat ze de wanden van het apparaat niet aanraken.
- Plaats het voedsel met container in de magnetron en sluit de deur (9).

OPMERKINGEN:

- Plaats de oven niet waar deze aan warmte, vocht of hoge vochtigheid blootgesteld wordt



Het vermogensniveau & de timer instellen:

- Stel het vermogensniveau in door de powerknop naar het gewenste vermogensniveau te draaien op het bedieningspaneel (1). (Magnetron-, combinatie- of grillmodus).
- Stel de kooktijd in (Bereik: 0 min ~ 35 min) door de timerknop naar de gewenste kooktijd te draaien.
- De magnetron start het kookproces automatisch nadat de het vermogensniveau en de kooktijd zijn ingesteld
- Nadat de ingestelde kooktijd is verstreken, klinkt er een bel en is het kookproces voltooid.
- U kunt het voedsel nu uit de magnetron halen. Gebruik ovenhandschoenen indien nodig (niet meegeleverd). Wees voorzichtig met het hete oppervlak.
- Als u het apparaat niet gebruikt, draai de timerknop dan altijd naar de stand "0".

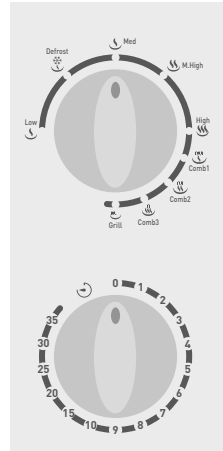


Fig. 1

Functie	Vermogen (ca.)	Toepassing
Low (Laag)	120W	Verzachten ijs
Defrost (Ontdooien)	230W	Soep, verzachten boter of ontdooien
Med (Gem)	385W	Stoofpot, vis
M. High (Gem-Hoog)	540W	Rijst, vis, kip, gehakt
High (Hoog)	700W	Opwarmen melk, groenten, koken van water, drank

OPMERKING: De bovenstaande tabel die het vermogen toont is alleen van toepassing op het vermogensniveau in de magnetronmodus en is niet van toepassing op de grillmodus of het stroomverbruik van het apparaat. De tabel dient alleen ter referentie.

Functie	Gebruik	Toepassing
Comb1	80% tijd: grill; 20% tijd: magnetron	Grillen van steaks, gehakt, spiesjes, worst en stukken kip.
Comb2	70% tijd: grill; 30% tijd: magnetron	Stukken kip, varkenskotelet, vis
Comb3	60% tijd: grill; 40% tijd: magnetron	Puddingen, omeletten, gebakken wortelen en groenten
Grill	100% tijd: grill	Gebakken brood, voedsel in plakjes

OPMERKING:

1. De bovenstaande tabel toont het gebruik in de combinatie- en grillmodus.
2. Als u voedsel uit de magnetron haalt, zorg er dan voor dat het apparaat is uitgeschakeld door de timerknop naar de stand "0" te draaien. Als u doet niet doet, kan dit leiden tot schade aan het apparaat.
3. De bovenstaande 2 tabellen dienen alleen ter referentie. De daadwerkelijke kooktijd en vermogensinstelling variëren en zijn afhankelijk van het gewenste kookeffect. U kunt de individuele kooktijd en vermogensinstelling indien gewenst handmatig wijzigen.



Kooktips

- Dit apparaat kan tijdens het kookproces op elk gewenst moment worden geopend. Dit kan zelfs nodig zijn, bijvoorbeeld om het voedsel om te draaien of te roeren, of om te controleren of het voedsel goed is gekookt of niet.
- Beëindig het kookproces door de timerknop handmatig naar de stand "0" te draaien.
- U kunt het voedsel nu uit de magnetron halen. Gebruik ovenhandschoenen indien nodig (niet meegeleverd). Wees voorzichtig met het hete oppervlak.
- Als u het apparaat niet gebruikt, zet de timerknop dan altijd in de stand "0".

Reiniging en onderhoud

LET OP: Trek de stekker van het apparaat altijd uit het stopcontact en laat het apparaat afkoelen alvorens het apparaat te reinigen & op te bergen.

Reiniging

- Dompel het apparaat nooit onder in water of andere vloeistoffen.
- Reinig het afgekoelde buitenoppervlak met een licht vochtige doek of spons met een milde zeepoplossing.
- Gebruik nooit schuursponsjes of reinigingsmiddelen, staalwol of metalen keukengerei/gereedschap om de onderdelen aan de binnenkant of buitenkant van het apparaat te reinigen.
- De glazen draaiplaat (5) kan worden verwijderd voor reiniging. Wees zeer voorzichtig tijdens het reinigen van de glazen draaiplaat (5) om schade te voorkomen. Reinig de plaat met behulp van een warm zeepsopje.
- Het draaiplateau (4) en de onderkant van de ovenruimte moeten regelmatig worden gereinigd omwille van hygiënische redenen en om ervoor te zorgen dat het draaiplateau (4) soepel kan blijven draaien.
- De verlichting in de magnetron kan worden vervangen, maar de vervangingsprocedure moet worden uitgevoerd door een gekwalificeerd technicus.

Opslag

- Zorg er voordat u het apparaat opbergt altijd voor dat de stekker van het apparaat uit het stopcontact is getrokken en dat het apparaat volledig is afgekoeld.
- Berg het apparaat op een koele, schone en droge plek op.

Problemen oplossen

Als het apparaat niet naar behoren functioneert, raadpleeg dan de onderstaande tabel voor een oplossing. Als u het probleem nog steeds niet kunt oplossen, neem contact op met de leverancier/dienstverlener.

Problemen	Mogelijke oorzaak	Mogelijke oplossing
Het apparaat schakelt niet in.	<ul style="list-style-type: none">- De stekker is niet juist aangesloten op het stopcontact.- De timerknop staat in de stand "0".- De deur (9) is niet volledig gesloten.	<ul style="list-style-type: none">- Controleer en zorg ervoor dat de stekker juist is aangesloten op het stopcontact.- Stel de timer in op de gewenste kooktijd.- Zorg ervoor dat de deur (9) is gesloten en op zijn plaats is vastgezet.
Glazen draaiplaat (4) maakt geluid tijdens gebruik.	<ul style="list-style-type: none">- De glazen draaiplaat (5) is niet juist geïnstalleerd.- De bodem van de ovenruimte is niet vlak omdat er nog voedselresten aanwezig zijn.	<ul style="list-style-type: none">- Zorg ervoor dat de glazen draaiplaat (5) juist is geïnstalleerd.- Reinig de bodem van de ovenruimte om ervoor te zorgen dat deze vlak is.



Technische specificaties

Itemnr.	281710
Bedrijfsspanning en frequentie	230V~ 50Hz
Magnetronfrequentie	2450 MHz
Nominaal ingangsvermogen (magnetron)	1050 W
Nominaal uitgangsvermogen (magnetron)	700 W
Nominaal ingangsvermogen (grill)	1000 W
Ovencapaciteit	20 liter
Instelling timer	0 min ~ 35 min
Beschermingsklasse	class I
Afmetingen	440 x 330 x (H) 259 mm

OPMERKING: Technische specificaties onderhevig aan verandering zonder voorafgaande kennisgeving.

Garantie

Elk defect waardoor de werking van het apparaat nadelig wordt beïnvloed dat zich binnen één jaar na aankoop van het apparaat voordoet, wordt gratis hersteld door reparatie of vervanging, mits het apparaat conform de instructies is gebruikt en onderhouden en niet op enigerlei wijze verkeerd is behandeld of misbruikt. Dit laat onverlet uw bij wet bepaalde rechten. Als de garantie van kracht is, vermeld dan waar

en wanneer u het apparaat hebt gekocht en sluit een aankoopbewijs bij (bijv. kassabon of factuur).

Gezien ons streven naar voortdurende verdere productontwikkeling behouden wij ons het recht voor, zonder voorafgaande kennisgeving wijzigingen aan te brengen aan product, verpakking en documentatie.

Verwijdering & milieu

Bij de buitengebruikstelling van het apparaat, mag het niet met het overige huisafval worden verwijderd. In plaats daarvan is het uw verantwoordelijkheid om uw afgedankte apparatuur in te leveren bij een daartoe aangewezen inzamelpunt. Het niet opvolgen van deze regel kan worden bestraft in overeenstemming met de geldende voorschriften voor afvalverwerking. De gescheiden inzameling en recycling van uw afgedankte apparatuur ten tijde van buitengebruikstelling helpt bij de instandhouding van


natuurlijke hulpbronnen en waarborgt dat de apparatuur wordt gerecycled op een manier die de volksgezondheid en het milieu beschermt.

Voor meer informatie over waar u uw afval kunt inleveren voor recycling kunt u contact opnemen met uw lokale afvalverwerkingsbedrijf. De fabrikant en importeurs nemen geen verantwoordelijkheid voor de recycling, behandeling en ecologische verwijdering, hetzij rechtstreeks of via een openbaar systeem.

Drogi Kliencie,

Dziękujemy za zakup tego urządzenia HENDI. Przeczytaj uważnie tę instrukcję, zwracając szczególną uwagę na przepisy bezpieczeństwa przedstawione poniżej, przed zainstalowaniem i używaniem tego urządzenia po raz pierwszy.

Przepisy bezpieczeństwa

- Urządzenie przeznaczone do bufetu oraz do użytku domowego.
- Urządzenie należy używać wyłącznie zgodnie z przeznaczeniem, do którego zostało zaprojektowane zgodnie z opisem w niniejszej instrukcji.
- Producent nie ponosi odpowiedzialności za jakiegokolwiek szkody spowodowane nieprawidłowym działaniem i niewłaściwym użyciem.
- Przechowywać urządzenie i wtyczkę elektryczną z dala od wody i innych płynów. W przypadku, gdy urządzenie wpadnie do wody, natychmiast wyjmij wtyczkę zasilającą z gniazda. Nie używać urządzenia, dopóki nie zostanie sprawdzone przez certyfikowanego technika. Nieprzestrzeganie tych instrukcji spowoduje zagrożenie dla życia.
- Nigdy nie próbuj samodzielnie otwierać obudowy urządzenia.
- Nie wkładaj przedmiotów do obudowy urządzenia.
- Nie dotykaj wtyczki mokrymi lub wilgotnymi dłońmi.
-  **NIEBEZPIECZEŃSTWO PORAŻENIA PRĄDEM!** Nie próbuj samodzielnie naprawiać urządzenia, naprawy mogą być wykonywane wyłącznie przez wykwalifikowany personel..
- **Nigdy nie używaj uszkodzonego urządzenia!** Po uszkodzeniu odłącz urządzenie od gniazda i skontaktuj się ze sprzedawcą.
- **OSTRZEŻENIE!** Nie zanurzaj części elektrycznych urządzenia w wodzie lub innych płynach.
- Nigdy nie trzymaj urządzenia pod bieżącą wodą.
- Regularnie sprawdzaj wtyczkę zasilającą i przewód pod kątem uszkodzeń. W przypadku uszkodzenia musi zostać zastąpiony przez agenta serwisowego lub podobnie wykwalifikowaną osobę w celu uniknięcia niebezpieczeństwa lub obrażeń.
- Upewnij się, że przewód nie styka się z ostrymi lub gorącymi przedmiotami i trzymaj go z dala od otwartego ognia. Nigdy nie pociągaj za przewód zasilający, aby odłączyć go od gniazda, zawsze za wtyczkę.
- Upewnij się, że przewód zasilający i/lub przedłużacz nie powodują zagrożenia przejazdem.
- Nigdy nie pozostawiaj urządzenia bez nadzoru podczas użytkowania.
- **OSTRZEŻENIE!** Dopóki wtyczka znajduje się w gnieździe, urządzenie jest podłączone do źródła zasilania.
- Wyłącz urządzenie przed odłączeniem go od gniazda.
- Podłącz wtyczkę do łatwo dostępnego gniazda elektrycznego, aby w nagłych wypadkach urządzenie mogło zostać natychmiast odłączone.

PL



- Nigdy nie noś urządzenia za przewód.
- Nie należy używać żadnych dodatkowych urządzeń, które nie są dostarczane razem z urządzeniem.
- Podłącz urządzenie tylko do gniazdka elektrycznego z napięciem i częstotliwością wymienioną na etykiecie urządzenia.
- Nigdy nie używaj akcesoriów innych niż zalecane przez producenta. Niezastosowanie się do tego może stanowić zagrożenie dla bezpieczeństwa użytkownika i spowodować uszkodzenie urządzenia. Używaj tylko oryginalnych części i akcesoriów.
- Urządzenie to nie powinno być obsługiwane przez osoby o ograniczonych możliwościach fizycznych, sensorycznych lub umysłowych, ani osoby, które mają brak doświadczenia i wiedzy.
- Urządzenie to w żadnym wypadku nie powinno być używane przez dzieci.
- Przechowywać urządzenie i jego przewód zasilający w miejscu niedostępnym dla dzieci.
- **OSTRZEŻENIE:** ZAWSZE wyłączyć urządzenie i odłączyć od gniazdka elektrycznego przed czyszczeniem, konserwacją lub przechowywaniem.

Specjalne przepisy bezpieczeństwa

- Urządzenie przeznaczone jest wyłącznie do podgrzewania, rozmrażania, grillowania i gotowania żywności i napojów. Suszenie żywności lub odzieży oraz podgrzewanie poduszek rozgrzewających, kapci, gąbek, wilgotnych ścierek itp. może prowadzić do powstania obrażeń ciała lub pożaru.
- Korzystaj z urządzenia wyłącznie zgodnie z niniejszą instrukcją.
- Urządzenie przeznaczone jest do użytku w gospodarstwach domowych oraz w następujących miejscach:
 - kuchnie dla pracowników w sklepach, biurach i innych miejscach pracy;
 - gospodarstwa rolne;
 - kuchnie przeznaczone do użytku gości w hotelach, motelach i innych obszarach mieszkalnych;
 - hotele typu „bed and breakfast”.



UWAGA! Gorąca powierzchnia! Podczas pracy urządzenia drzwiczki oraz pozostałe dostępne powierzchnie nagrzewają się do bardzo wysokich temperatur. Dotykaj wyłącznie panelu sterowania.

- Nie uruchamiaj urządzenia przed umieszczeniem we wnętrzu kuchenki żywności, ponieważ może to doprowadzić do jej uszkodzenia.
- Do przygotowywania potraw w urządzeniu należy używać wyłącznie naczyń nadających się do stosowania w kuchenkach mikrofalowych. Nie używaj naczyń ani sztućców zrobionych z lub zawierających metal, folię aluminiową, szkło ołowiowe (kryształ), tworzywa sztuczne nieodporne na działanie wysokich temperatur, metalowe lub drewniane zapinki lub druciane opaski. Nie używaj misek z metalowym brzegiem ani misek plastikowych z częściowo zdjętym wieczkiem.

Niebezpieczeństwo powstania ognia.

- Ze względu na ryzyko zapłonu, obserwuj proces podgrzewania żywności zapakowanej w plastikowe lub papierowe pojemniki.
- W przypadku zauważenia dymu, wyłącz urządzenie lub wyjmij wtyczkę z kontaktu i nie otwieraj drzwiczek. Pozwoli to szybciej ugasić ogień.
- Nie uruchamiaj kuchenki mikrofalowej, jeśli nie są w niej umieszczone produkty spożywcze. Jest to bardzo niebezpieczne.
- Nie uruchamiaj kuchenki mikrofalowej, jeśli drzwiczki są otwarte, ponieważ może to prowadzić do narażenia na działanie energii w postaci promieniowania mikrofalowego. Nie zdejmuj ani nie manipuluj przy blokadach bezpieczeństwa.
- Nie podgrzewaj w kuchence mikrofalowej jajek w skorupkach ani jajek ugotowanych na twardo, ponieważ mogą one eksplodować, nawet jeśli proces podgrzewania został zakończony.
- **OSTRZEŻENIE:** Jeśli drzwiczki lub uszczelki drzwiowe uległy uszkodzeniu, nie korzystaj z kuchenki mikrofalowej do momentu naprawienia ich przez autoryzowanego pracownika serwisu.
- **OSTRZEŻENIE:** Niebezpieczne jest wykonywanie jakichkolwiek czynności serwisowych lub naprawczych, polegających na usunięciu pokrywy chroniącej przed narażeniem na działanie promieniowania mikrofalowego, przez osoby inne niż autoryzowany pracownik serwisu.
- **OSTRZEŻENIE:** Nie podgrzewaj w kuchence mikrofalowej płynów ani innych produktów spożywczych w zamkniętych pojemnikach, butelkach itp., ponieważ grozi to eksplozją pojemnika, butelki itp.
- **OSTRZEŻENIE:** W celu uniknięcia poparzeń, zawartość butelek lub słoiczków z żywnością dla niemowląt wstrząśnij lub wymieszaj przed spożyciem oraz sprawdź temperaturę napoju lub pokarmu.
- **OSTRZEŻENIE:** Podgrzewanie napojów w kuchence mikrofalowej może prowadzić do opóźnionego gwałtownego wrzenia. Zachowaj ostrożność podczas przenoszenia pojemnika.
- Urządzenie nie powinno być umieszczane w zabudowie. Nie blokuj otworów wentylacyjnych urządzenia. Informacje o ilości przestrzeni wokół urządzenia, jaką należy pozostawić w celu zapewnienia właściwego przepływu powietrza, znajdują się w sekcji „Przed użyciem”.
- Naczynia mogą się nagrzać w kontakcie z gorącą żywnością. By wyjąć żywność w urządzenia, użyj rękawic kuchennych (niedotoczonych do urządzenia).
- Regularnie czyść urządzenie i usuwaj pozostałości żywności z komory gotowania.
- Nieutrzymanie kuchenki w czystości może prowadzić do pogorszenia stanu powierzchni, co z kolei może negatywnie wpłynąć na żywotność urządzenia i prowadzić do wystąpienia sytuacji niebezpiecznej.
- Niewykorzystuj komory kuchenki mikrofalowej jako przestrzeni do przechowywania. W kuchence mikrofalowej nie przechowuj produktów spożywczych takich jak chleb, ciastka itp.



- Urządzenie nie jest przystosowane do obsługi za pomocą zewnętrznego timera lub oddzielnego systemu zdalnego sterowania.
- Zachowaj ostrożność podczas umieszczania żywności w kuchence, aby uniknąć uszkodzenia talerza obrotowego.
- **UWAGA!** Odpowiednio poprowadź i zabezpiecz przewód zasilający, aby zapobiec przypadkowemu pociągnięciu lub kontaktowi z nagrzaną powierzchnią.
- Nie czyść urządzenia wodą. Mycie urządzenia może spowodować przedostanie się wody do części elektrycznych i doprowadzić do porażenia prądem.
- Nie czyść ani nie umieszczaj urządzenia w miejscu przechowywania, zanim całkowicie nie ostygnie.
- Części urządzenia nie mogą być myte w zmywarce.

Przeznaczenie

- Urządzenie przeznaczone do bufetu oraz do użytku domowego.
- Urządzenie przeznaczone jest wyłącznie do podgrzewania i rozmrażania żywności w naczyniach przystosowanych do użytku w kuchenkach mikrofalowych. Każde inne użycie może prowadzić do poważnego uszkodzenia urządzenia lub zranienia osób.
- Wykorzystanie urządzenia w jakimkolwiek innym celu uznane będzie za wykorzystanie niezgodne z przeznaczeniem. Użytkownik będzie wyłącznie odpowiedzialny za nieprawidłowe wykorzystanie urządzenia.

PL

Instalacja uziemienia

Urządzenie to jest klasyfikowane jako **klasa ochrony I** i musi być potężone z podłożem ochronnym. Uziemienie zmniejsza ryzyko porażenia prądem elektrycznym, dostarczając przewód ewakuacyjny dla prądu elektrycznego.

To urządzenie jest wyposażone w przewód zasilający, który ma przewód uziemiający i uziemioną wtyczkę. Wtyczka musi być podłączona do gniazdka, które jest prawidłowo zainstalowane i uziemione.

Naczynia

Stosowanie w kuchence mikrofalowej pewnych naczyń niemetalowych może być niebezpieczne. W przypadku wątpliwości, czy dane naczynie może być użyte w kuchence mikrofalowej, można przeprowadzić jego test zgodnie z poniższą instrukcją:

Test naczynia:

Napetnij pojemnik, który chcesz przetestować w kuchence mikrofalowej, 1 szklanką (250 ml) zimnej wody i włóż dane naczynie do komory kuchenki. Podgrzewaj przez 1 minutę z zastosowaniem największej mocy.

Ostrożnie dotknij testowanego naczynia. Jeśli naczynie jest ciepłe, NIE nadaje się ono do stosowania w kuchence mikrofalowej. Nie podgrzewaj naczynia dłużej niż 1 minutę.



Wykaz naczyń kuchennych

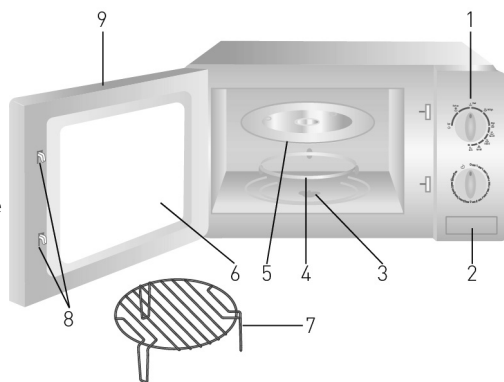
Poniższy wykaz pozwoli wybrać odpowiednie naczynia kuchenne:

Naczynie kuchenne	Tryb standardowy	Tryb grilla	Tryb tężony	Uwagi
Sztko odporne na działanie wysokich temperatur	√	√	√	
Sztko nieodporne na działanie wysokich temperatur	x	x	x	
Ceramika odporna na działanie wysokich temperatur	√	√	√	
Naczynia z tworzywa sztucznego odpowiednie do stosowania w kuchenkach mikrofalowych	√	x	x	Nieodpowiednie do stosowania w przypadku wysokich temperatur
Ręczniki papierowe	√	x	x	Wyłącznie krótkie podgrzewanie pod nadzorem użytkownika.
Metalowe tacki	x	√	x	Podczas pracy urządzenia pojawia się iskrzenie.
Metalowy stojak	x	√	x	
Folia aluminiowa i aluminiowe pojemniki	x	√	x	

√: Dopuszczalne użytkowanie w podanym trybie. Korzystaj wyłącznie zgodnie z instrukcją producenta; pamiętaj o zdjęciu wieczka, jeśli dane naczynie je posiada. Jeśli powierzchnia naczynia jest pęknięta lub uszkodzona, nie wkładaj go do kuchenki.
x: Nie nadaje się do użytkowania w danym trybie.

Główne części urządzenia

1. Panel sterowania (Patrz Rys. 1)
2. Przycisk otwarcia drzwi
3. Wał talerza obrotowego
4. Element obrotowy
5. Szklany talerz obrotowy
6. Szklane okienko
7. Stojak do grillowania (do użytku wyłącznie w trybie grilla)
8. Mechanizm zamknięcia drzwiczek
9. Drzwiczki

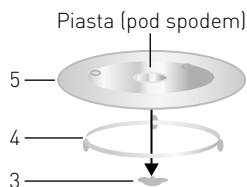


PL



Montaż talerza obrotowego

- Nigdy nie umieszczaj talerza obrotowego (5) dnem do góry.
- Podczas pracy urządzenia, w kuchenke musi zostać umieszczony zarówno element obrotowy (4), jak i talerz (5).
- Żywność oraz napoje umieść na szklanym talerzu obrotowym (5).
- Ustaw element obrotowy (4) oraz talerz obrotowy (5) prostopadle w stosunku do wału talerza obrotowego (3). Upewnij się, czy element i talerz obracają się płynnie.
- Po każdym użyciu umyj talerz obrotowy (5).
- **UWAGA:** NIE używaj kuchenki mikrofalowej, jeśli talerz obrotowy (5) lub element obrotowy (4) pęknie lub zostanie w inny sposób uszkodzony - w takim przypadku należy natychmiast skontaktować się z dostawcą.
- Korzystaj jedynie z elementu obrotowego (4) i szklanego talerza obrotowego (5) dotychczas do urządzenia.



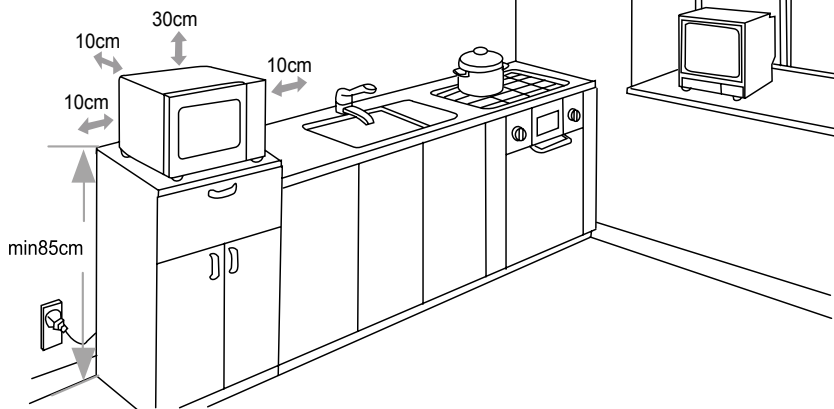
Przed pierwszym użyciem

- Zdejmij i usuń opakowanie i zabezpieczenia.
- Sprawdź, czy urządzenie nie jest nieuszkodzone. W przypadku niepełnej dostawy lub uszkodzeń skontaktuj się z dostawcą (patrz ==> Gwarancja).
- Zachowaj opakowanie na wypadek konieczności spakowania urządzenia w przyszłości.
- Wyczyść urządzenie (patrz ==> Czyszczenie i konserwacja).
- Sprawdź, czy urządzenie jest całkowicie suche.
- Umieść urządzenie na poziomej stabilnej powierzchni, odpornej na działanie wysokich temperatur i rozbryzgi plynów.

- Nie umieszczaj urządzenia w pobliżu przedmiotów, które są wrażliwe na zaburzenia wywołane emisją promieniowania magnetycznego (np. odbiorniki radiowe, magnetofony kasetowe).

UWAGA: Ze względu na pozostałości z procesu produkcyjnego, podczas kilku pierwszych uruchomień z urządzenia może wydobywać się słaby, specyficzny zapach. Jest to zjawisko normalne i nie świadczy o uszkodzeniu urządzenia ani zagrożeniu dla użytkownika. Upewnij się, czy urządzenie jest dobrze wentylowane.

Wytyczne dotyczące lokalizacji



Obsługa

- Umieść kuchenkę mikrofalową na płaskiej, stabilnej, suchej poziomej powierzchni odpornej na działanie wysokich temperatur. W celu zapewnienia właściwego przepływu powietrza, pozostaw wokół urządzenia wolną przestrzeń według następujących instrukcji:
 - nad kuchenką: 30 cm
 - za kuchenką: 10 cm
 - po bokach kuchenki: 10 cm
- Otwórz drzwiczki kuchenki mikrofalowej (9), wciskając przycisk otwarcia drzwi (2).
- Umieść element obrotowy (4) i szklany talerz obrotowy (5) we właściwej pozycji. Umieszczenie powyższych części w niewłaściwej pozycji skutkować będzie zablokowaniem obrotu talerza (5). (Patrz ==> Montaż talerza obrotowego).
- Podłącz wtyczkę do odpowiedniego gniazdka elektrycznego.

UWAGA:

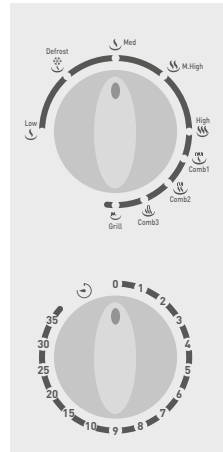
- Nie umieszczaj kuchenki mikrofalowej w miejscach, w których emitowane jest ciepło lub które są bardzo wilgotne, jak również w pobliżu materiałów łatwopalnych.
- Upewnij się, że kabel zasilający nie jest uszkodzony, nie został przeprowadzony pod kuchenką lub nad powierzchniami ostrymi bądź nagrzanymi.
- Kabel zasilający musi zostać podłączony do gniazdka elektrycznego, do którego dostęp nie jest utrudniony, tak, by w przypadku awarii urządzenie mogło zostać natychmiast odłączone z zasilania.
- **UWAGA:** Stojak do grillowania (7) może być wykorzystywany wyłącznie w trybie grilla.
- Talerz obrotowy (5) powinien być używany w każdym trybie: Trybie standardowym, trybie grilla i trybie łączonym.
- Podczas korzystania ze stojaka do grillowania (7) użyj odpowiednich naczyń, tak by nie dotykało ono ścian urządzenia.
- Umieść żywność w odpowiednim naczyniu i zamknij drzwiczki (9).

PL



Ustawienie poziomu mocy i timera:

- Ustaw moc urządzenia poprzez obrócenie pokrętki znajdującego się na panelu sterowania (1) na wybraną moc. (Tryb standardowy, grilla i tączony).
- Ustaw czas pracy (zakres: 0 min ~ 35 min), obracając pokrętkę timera na wybraną wartość.
- Kuchenka automatycznie rozpocznie pracę po ustawieniu mocy i czasu.
- Po upływie wyznaczonego czasu rozlegnie się sygnał dźwiękowy i urządzenie przerwie pracę.
- Żywność można wyjąć z urządzenia. Jeśli to konieczne, użyj rękawic kuchennych (nieodłączonych do urządzenia). Uważaj na gorącą powierzchnię urządzenia.
- Jeśli urządzenie nie jest użytkowane, ustaw timer na wartość „0”.



Rys. 1

Funkcja	Szacunkowa moc wyjściowa	Zastosowanie
Niska moc	120 W	Lekkie rozmrożenie lodów
Rozmrażanie	230 W	Podgrzanie zupy, zmiękczenie masła lub rozmrażanie
Średnia moc	385 W	Przygotowanie gulaszu, ryby
Moc średniowysoka	540 W	Przygotowanie ryżu, ryby, kurczaka, mięsa mielonego
Moc wysoka	700 W	Odgrzewanie mleka, warzyw, gotowanie wody, podgrzanie innych napojów

UWAGA: Powyższa tabela określa jedynie poziomy mocy wyjściowej kuchenki mikrofalowej, nie poziom mocy grilla ani pobór mocy urządzenia. Powyższe dane mają wyłącznie charakter wyłącznie informacyjny.

Funkcja	Program	Zastosowanie
Tryb łączony 1	80% czasu: tryb grilla; 20% czasu: tryb standardowy;	Grillowanie steków, mięsa mielonego, kebabów, kietbassek i części kurczaka.
Tryb łączony 2	70% czasu: tryb grilla; 30% czasu: tryb standardowy;	Części kurczaka, schab, ryby
Tryb łączony 3	60% czasu: tryb grilla; 40% czasu: tryb standardowy;	Puddingi, omlety, pieczona marchewka i inne warzywa
Tryb grilla	100% czasu: tryb grilla;	100% czasu: tryb grilla;

UWAGA:

1. Powyższa tabela przedstawia program łączenia trybu standardowego i trybu grilla.
2. Przed wyjęciem żywności z kuchenki upewnij się, że urządzenie jest wyłączone (timer ustawiony na wartość „0”). W przeciwnym przypadku, podczas wyjmowania żywności urządzenie może zostać uszkodzone.
3. Powyższe tabele mają charakter wyłącznie informacyjny. Rzeczywisty czas przygotowania żywności i ustawienia mocy zależą od pożądanego efektu przygotowania żywności w kuchence. Jeśli to konieczne, zmień czas przygotowania żywności i ustawienia mocy ręcznie.

Wskazówki dotyczące przygotowania żywności w kuchence

- Jeśli to konieczne, urządzenie można otworzyć w dowolnym momencie podczas jego pracy w celu np. obrócenia lub zamieszania żywności lub sprawdzenia stanu jej przygotowania.
- Aby zakończyć proces przygotowania żywności, ustaw pokrętko timera w pozycji „0”.
- Żywność można wyjąć z urządzenia. Jeśli to konieczne, użyj rękawic kuchennych (niedotłączonych do urządzenia). Uważaj na gorącą powierzchnię urządzenia.
- Jeśli urządzenie nie jest użytkowane, ustaw timer na wartość „0”.

PL

Czyszczenie i konserwacja

UWAGA: Przed rozpoczęciem czyszczenia i umieszczeniem urządzenia w miejscu przechowywania, zawsze odłącz urządzenie od gniazdka sieciowego i odczekaj, aż kuchenka ostygnie.

Czyszczenie

- Nigdy nie zanurzaj urządzenia w wodzie oraz innych płynach.
- Po ostygnięciu powierzchni zewnętrznej oczyść ją przy pomocy wilgotnej ściereczki lub gąbki, z niewielką ilością łagodnego roztworu środka myjącego.
- Do czyszczenia wnętrza i zewnętrznych części urządzenia nigdy nie używaj szorstkich gąbek ani żrących detergentów, jak również gąbek z wetny stalowej lub przyrządów metalowych.
- Jeśli to konieczne, urządzenie można otworzyć w dowolnym momencie podczas jego pracy w celu np. obrócenia lub zamieszania żywności lub sprawdzenia stanu jej przygotowania.
- Aby zakończyć proces przygotowania żywności, ustaw pokrętko timera w pozycji „0”.
- Żywność można wyjąć z urządzenia. Jeśli to konieczne, użyj rękawic kuchennych (niedotłączonych do urządzenia). Uważaj na gorącą powierzchnię urządzenia.
- Jeśli urządzenie nie jest użytkowane, ustaw timer na wartość „0”.



Przechowywanie

- Przed umieszczeniem w miejscu przechowywania, zawsze upewnij się, czy urządzenie zostało odłączone od gniazdka sieciowego i całkowicie ostygło.
- Przechowuj urządzenie w chłodnym, czystym i suchym miejscu.

Diagnostyka

Jeśli urządzenie nie działa prawidłowo, zapoznaj się z poniższą tabelą w celu znalezienia prawidłowego rozwiązania. Jeśli nadal nie możesz rozwiązać problemu, skontaktuj się z dostawcą.

Problem	Możliwa przyczyna	Możliwe rozwiązanie
Urządzenie nie włącza się.	- Wtyczka nie jest prawidłowo podłączona do gniazdka sieciowego. - Timer jest ustawiony na wartość „0”. - Drzwiczki kuchenki [9] nie zostały prawidłowo zamknięte.	- Sprawdź, czy wtyczka jest prawidłowo podłączona do gniazdka sieciowego. - Ustaw pokrętko timera na wybranej wartości. - Upewnij się, że drzwiczki [9] są prawidłowo zamknięte.
Podczas pracy urządzenia szklany talerz obrotowy [5] wydaje głośne dźwięki.	- Szklany talerz obrotowy [5] nie został prawidłowo zamontowany. - Na dnie komory kuchenki pozostały resztki jedzenia, przez co powierzchnia nie jest płaska.	- Upewnij się, że szklany talerz obrotowy [5] został prawidłowo zamontowany. - Wyczyść dno komory kuchenki z wszelkich pozostałości utrudniających ruch talerza.

Specyfikacja techniczna

PL

Numer produktu	281710
Napięcie robocze i częstotliwość	230V~ 50Hz
Częstotliwość mikrofal	2450 MHz
Znamionowy pobór mocy (tryb standardowy)	1050 W
Znamionowa moc wyjściowa (tryb standardowy)	700 W
Znamionowy pobór mocy (tryb grilla)	1000 W
Pojemność komory kuchenki	20 litrów
Zakres ustawienia czasu timera	0 min ~ 35 min
Klasa ochronności	Klasa I
Wymiary	440 x 330 x (H) 259 mm

UWAGA: Specyfikacja techniczna może ulec zmianie bez uprzedzenia.



Gwarancja

Każda usterka powodująca złe funkcjonowanie urządzenia, która ujawni się w ciągu jednego roku od zakupu, zostanie bezpłatnie usunięta lub urządzenie zostanie wymienione na inne, pod warunkiem, że było użytkowane i konserwowane zgodnie z instrukcją obsługi i nie było wykorzystywane do innych celów lub w jakikolwiek inny niewłaściwy sposób. Nie narusza to innych praw użytkownika, wynikających z przepisów prawa. W przypadku korzystania z

gwarancji, należy podać miejsce i czas zakupu urządzenia, dotychczas do niego dowód zakupu (np. paragon).

Zgodnie z naszą polityką ciągłego udoskonalania produktów zastrzegamy sobie prawo do wprowadzania zmian w produkcie, opakowaniu oraz specyfikacjach zawartych w dokumentacji bez uprzedniego powiadomienia.

Wycofanie z użytkowania i ochrona środowiska

Pamiętaj!

Nie wyrzucaj zużytego sprzętu łącznie z innymi odpadami

Nie demontuj zużytych urządzeń zawierających niebezpieczne składniki na własną rękę!

Groź Ci za to kary grzywny!

Po zakończeniu eksploatacji produktu nie wolno gromadzić razem z odpadami komunalnymi, tylko należy odstawić do punktu odbioru odpadów elektrycznych i elektronicznych. Użytkownik ponosi odpowiedzialność za przekazanie wycofanego z użytkowania urządzenia do punktu gospodarowania odpadami. Nieprzestrzeganie tej zasady może być karane zgodnie z lokalnie obowiązującymi przepisami dotyczącymi gospodarowania odpadami. Jeśli urządzenie wycofane z użytkowania jest po prostu odebrane jako osobny odpad, może zostać przetworzone i zutylozowane w sposób przyjazny dla środowiska, co zmniejsza negatywny wpływ na środowisko i zdrowie ludzi. Aby uzyskać więcej informacji dotyczących dostępnych usług w zakresie odbioru odpadów, należy skontaktować się z lokalną firmą odbierającą odpady.



Symbol przekreślonego kosza na śmieci oznacza, że tego produktu nie wolno wyrzucać do zwykłych pojemników na odpady.

Zużyte urządzenia elektryczne i elektroniczne mogą zawierać niebezpieczne składniki np. rtęć, ołów, kadm lub freon. Jeśli tego typu substancje przedostaną się w sposób niekontrolowany do środowiska, spowodują skażenie wody i gleby, a także wpłyną niekorzystnie na zdrowie ludzi i zwierząt.

Właściwe postępowanie ze zużytym sprzętem zapobiega potencjalnym negatywnym konsekwencjom dla środowiska naturalnego i ludzkiego zdrowia.

Jednocześnie oszczędzamy naturalne zasoby naszej Ziemi wykorzystując powtórnie surowce uzyskane z przetwarzania sprzętu.


PL



Cher client,

Merci d'avoir acheté cet appareil HENDI. Lisez attentivement ce manuel, en accordant une attention particulière aux règles de sécurité décrites ci-dessous, avant d'installer et d'utiliser cet appareil pour la première fois.

Règlement sur la sécurité

- Cet appareil est destiné pour des buffets et à un usage domestique.
- N'utilisez l'appareil qu'aux fins prévues pour lesquelles il a été conçu comme décrit dans le présent manuel.
- Le fabricant n'est pas responsable des dommages causés par un mauvais fonctionnement et une mauvaise utilisation.
- Gardez l'appareil et la prise électrique à l'écart de l'eau et des autres liquides. Dans le cas où l'appareil tombe dans l'eau, retirez immédiatement la prise d'alimentation de la prise. N'utilisez pas l'appareil tant qu'elle n'a pas été vérifiée par un technicien certifié. Si vous ne respectez pas ces instructions, vous risquez de mettre la vie en danger.
- N'essayez jamais d'ouvrir le boîtier de l'appareil par vous-même.
- N'insérez pas d'objets dans le boîtier de l'appareil.
- Ne touchez pas la prise avec les mains mouillées ou humides.
-  **DANGER DE CHOC ÉLECTRIQUE!** N'essayez pas de réparer l'appareil par vous-même, les réparations doivent être effectuées uniquement par du personnel qualifié.
- **N'utilisez jamais un appareil endommagé!** Lorsqu'il est endommagé, débranchez l'appareil de la prise et contactez le détaillant.
- **AVERTISSEMENT!** Ne pas immerger les parties électriques de l'appareil dans de l'eau ou d'autres liquides.
- Ne tenez jamais l'appareil sous l'eau courante.
- Vérifiez régulièrement la prise d'alimentation et le cordon pour tout dommage. Lorsqu'il est endommagé, il doit être remplacé par un agent de service ou une personne qualifiée de la même manière afin d'éviter un danger ou une blessure.
- Assurez-vous que le cordon n'entre pas en contact avec des objets tranchants ou chauds et maintenez-le à l'écart du feu ouvert. Ne tirez jamais le cordon d'alimentation pour le débrancher de la prise, tirez toujours la prise à la place.
- Assurez-vous que le cordon d'alimentation et/ou le rallonge ne présentent pas de risque de déclenchement.
- Ne laissez jamais l'appareil sans surveillance pendant l'utilisation.
- **AVERTISSEMENT!** Tant que la prise est dans la prise, l'appareil est connecté à la source d'alimentation.
- Éteignez l'appareil avant de le débrancher de la prise.
- Connectez la prise d'alimentation à une prise électrique facilement accessible afin qu'en cas d'urgence l'appareil puisse être débranché immédiatement.

FR



- Ne portez jamais l'appareil par le cordon.
- N'utilisez pas de périphériques supplémentaires qui ne sont pas fournis avec la solution matérielle-logicielle.
- Connectez uniquement l'appareil à une prise électrique dont la tension et la fréquence sont indiquées sur l'étiquette de l'appareil.
- N'utilisez jamais d'accessoires autres que ceux recommandés par le fabricant. Le fait de ne pas le faire pourrait présenter un risque pour la sécurité de l'utilisateur et pourrait endommager l'appareil. Utilisez uniquement des pièces et accessoires d'origine.
- Cet appareil ne doit pas être utilisé par des personnes ayant des capacités physiques, sensorielles ou mentales réduites, ou par des personnes qui ont un manque d'expérience et de connaissances.
- Cet appareil ne doit en aucun cas être utilisé par des enfants.
- Gardez l'appareil et son cordon d'alimentation hors de portée des enfants.
- **ATTENTION:** éteignez TOUJOURS l'appareil et débranchez de la prise d'alimentation avant le nettoyage, l'entretien ou le stockage.

Règlement spécial sur la sécurité

- L'appareil est conçu uniquement pour chauffer, décongeler, griller ou cuire les aliments et les boissons. Le séchage des aliments ou des vêtements et le chauffage des coussins chauffants, des pantoufles, des éponges et des chiffons humides etc. peut entraîner des blessures ou un incendie.
- Utilisez l'appareil uniquement conformément au présent mode d'emploi.
- L'appareil est destiné à être utilisé dans des ménages et des endroits suivants :
 - cuisines pour les employés dans des magasins, les bureaux ou autres lieux de travail ;
 - exploitations agricoles ;
 - cuisines utilisées par les clients dans des hôtels, les motels ou autres zones résidentielles ;
 - hôtels „bed and breakfast”.



ATTENTION! Surface chaude ! Pendant le fonctionnement de l'appareil la porte et les autres surfaces disponibles chauffent à des températures très élevées. Touchez uniquement le panneau de commande.

- Ne démarrez pas l'appareil avant de placer des aliments à l'intérieur du four parce que cela peut entraîner à l'endommagement de l'appareil.
- Pour préparer les plats dans l'appareil n'utiliser que les ustensiles qui sont destinés pour l'utilisation dans les fours à micro-ondes. N'utilisez pas les ustensiles ou les couverts qui sont faits en métal ou contenant du métal, du papier d'aluminium, du cristal au plomb, des matières plastiques non résistant à des températures élevées, ou contenant les attaches en métal ou en bois ou des bandes en fil. N'utilisez pas les bols avec le bord en métal ou les bols en plastique avec le couvercle partiellement enlevé. Danger d'incendie.



- En raison du risque d'inflammation, observez le processus de chauffage des aliments emballés dans des récipients en plastique ou en papier.
- Si vous remarquez de la fumée, éteignez l'appareil ou retirez la fiche de la prise électrique et n'ouvrez pas la porte. Cela vous permettra d'éteindre le feu plus rapidement.
- Ne démarrez pas le four à micro-ondes sans les aliments à l'intérieur. Cela est très dangereux.
- N'utilisez pas le four à micro-ondes si la porte est ouverte parce que cela peut entraîner une exposition à l'énergie sous forme de rayonnement à micro-ondes. Ne retirez pas et ne faites pas d'intervention sur les protections de sécurité.
- Ne chauffez pas dans le four à micro-ondes des œufs dans des coquillages ou des œufs cuits durs parce qu'ils peuvent exploser même si le processus de chauffage a été terminé.
- **AVERTISSEMENT** : Si la porte ou les joints de la porte sont endommagés, n'utilisez pas le four à micro-ondes jusqu'à ce qu'ils ne soient pas réparés par un technicien du service agréé.
- **AVERTISSEMENT** : Il est dangereux d'effectuer des interventions d'entretien ou de réparation consistant à retirer le couvercle de protection contre l'exposition au rayonnement micro-ondes par les personnes autres qu'un technicien du service agréé.
- **AVERTISSEMENT** : Ne chauffez pas dans le four à micro-ondes des liquides ou d'autres aliments dans des récipients fermés, des bouteilles etc. parce que cela peut provoquer l'explosion du récipient ou de la bouteille etc.
- **AVERTISSEMENT** : Pour éviter les brûlures le contenu des bouteilles ou des pots avec les aliments pour bébés doit être secoué ou mélangé avant de manger et la température de la boisson ou de la nourriture doit être vérifiée.
- **AVERTISSEMENT** : Le chauffage des boissons dans le four à micro-ondes peut entraîner une ébullition brusque et retardée. Soyez prudent lorsque vous manipulez le récipient.
- L'appareil ne peut pas être encastré. Ne couvrez pas les ouvertures de ventilation de l'appareil. Les informations sur l'espace qui doit être laissé autour de l'appareil pour assurer la circulation d'air correcte sont inscrites dans la partie « Avant l'utilisation ».
- Les ustensiles peuvent devenir chauds lorsqu'ils sont en contact avec des aliments chauds. Utiliser les gants de cuisine (non fournis) pour retirer les aliments de l'appareil.
- Nettoyez régulièrement l'appareil de résidus d'aliments du compartiment de cuisson.
- Si vous ne maintenez pas le four à l'état propre, cela peut entraîner la détérioration de la surface, ce qui peut encore affecter la durée de vie de l'appareil ou provoquer une situation dangereuse.
- N'utilisez pas le four à micro-ondes comme un espace de stockage. Ne stockez

- pas d'aliments dans le four à micro-ondes par exemple du pain, des biscuits etc.
- L'appareil n'est pas conçu pour être utilisé avec une minuterie externe ou un système de télécommande séparé.
 - Soyez prudent lorsque vous placez les aliments dans le four pour éviter d'endommager le plateau tournant.
 - **ATTENTION !** Faites passer et protéger correctement le cordon d'alimentation pour éviter toute traction accidentelle ou tout contact avec la surface chauffée.
 - Ne nettoyez pas l'appareil avec de l'eau. Le lavage de l'appareil peut entraîner la pénétration de l'eau dans les parties électriques et provoquer un choc électrique.
 - Ne nettoyez pas l'appareil ou ne placez pas l'appareil dans un endroit de stockage avant qu'il ne soit pas complètement refroidi.
 - Les parties de l'appareil ne peuvent pas être lavées au lave-vaisselle.

Utilisation prévue

- Cet appareil est destiné pour des buffets et à un usage domestique.
- L'appareil est destiné à un usage commercial et est utilisé pour chauffer et décongeler des produits alimentaires en utilisant des plats appropriés. L'utilisation de l'appareil à d'autres fins peut entraîner des dommages ou des blessures.
- L'utilisation de l'appareil à d'autres fins sera considérée comme une utilisation inappropriée. L'utilisateur sera seul responsable de l'utilisation incorrecte de l'appareil.

Installation de mise à la terre

Cet appareil est classé dans la **classe de protection I** et doit être raccordé à un sol de protection. La mise à la terre réduit le risque de choc électrique en fournissant un fil d'évacuation pour le courant électrique. Cet appareil est

équipé d'un cordon d'alimentation muni d'un fil de mise à la terre et d'une prise mise à la terre. La fiche doit être branchée sur une prise correctement installée et mise à la terre.

Plats

L'utilisation de certains plats non métalliques dans le four à micro-onde peut être dangereuse. En cas de doute si un plat donné peut être utilisé dans le four à micro-onde, vous pouvez effectuer le test selon les instructions suivantes :

Test d'un plat

Remplissez le récipient que vous voulez tester dans le four à micro-ondes en versant 1 verre (250 ml) d'eau froide et placez-le dans le compartiment du four. Chauffez pendant une minute en utilisant la puissance la plus élevée.

Touchez prudemment le récipient testé. Si le plat est chaud, cela veut dire qu'il **NE PEUT PAS** être utilisé dans le four à micro-ondes. Ne chauffez pas le plat pendant plus d'une minute.



Liste des plats de cuisine

La présente liste vous aidera à choisir de bons plats de cuisine:

Plat de cuisine	Mode standard	Mode grillage	Mode combiné	Remarques
Verre résistant aux températures élevées	√	√	√	
Verre non résistant aux températures élevées	x	x	x	
Céramique résistant aux températures élevées	√	√	√	
Plats en plastique appropriés pour une utilisation dans les fours à micro-ondes	√	x	x	Ne convient pas à être utilisé dans des températures élevées
Serviettes en papier	√	x	x	Uniquement le chauffage court sous la surveillance de l'utilisateur.
Plateaux métalliques	x	√	x	Pendant l'utilisation des étincelles apparaissent.
Support métallique	x	√	x	
Feuille d'aluminium et conteneurs en aluminium	x	√	x	

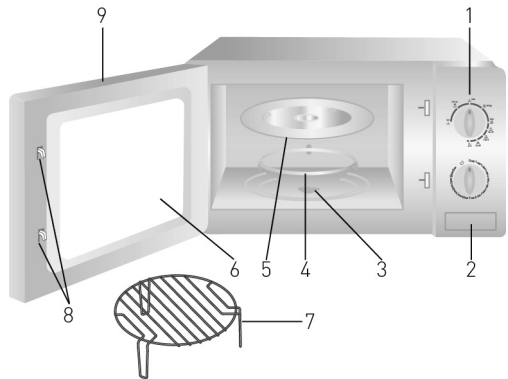
√: L'utilisation dans le mode spécifié autorisée. Utilisez uniquement conformément aux instructions du fabricant. N'oubliez pas d'enlever le couvercle si le plat le possède. Si la surface du plat est cassée ou endommagée, ne le mettez pas dans le four.

x: Ne convient pas pour une utilisation dans un mode spécifié.

FR

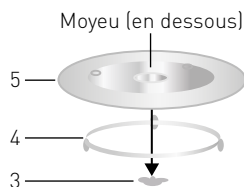
Les éléments principaux de l'appareil

1. Panneau de commande (Voir la fig. 1)
2. Bouton d'ouverture de la porte
3. Arbre de le plateau tournant
4. Élément rotatif
5. Plateau tournant
6. Fenêtre en verre
7. Support de grillage (uniquement pour l'utilisation en mode de grillage)
8. Mécanisme de fermeture de la porte
9. Porte



Installation du plateau tournant

- Ne placez jamais le plateau tournant (5) à l'envers.
- Pendant le fonctionnement de l'appareil dans le four également l'élément rotatif (4) et le plateau tournant (5) doivent être placés.
- Placez les aliments et les boissons sur le plateau tournant (5).
- Placez l'élément rotatif (4) et le plateau tournant (5) perpendiculairement à l'arbre du plateau tournant (3). Assurez-vous que l'élément ou le plateau tournent doucement.
- Après chaque utilisation lavez le plateau tournant (5).
- **ATTENTION:** N'UTILISEZ PAS le four à micro-ondes si le plateau tournant (5) ou l'élément rotatif (4) sont cassés ou endommagé de toute autre manière – dans ce cas contactez immédiatement le fournisseur.
- Utilisez uniquement l'élément rotatif (4) et le plateau tournant (5) qui sont fournis avec l'appareil.



Avant la première utilisation

- Retirez et éliminez l'emballage et toutes les protections.
- Vérifiez l'appareil et les accessoires en ce qui concerne l'intégralité. En cas de livraison incomplète ou de dommages, contactez votre fournisseur (voir ==> Garantie).
- Conservez l'emballage si vous avez l'intention de stocker votre appareil à l'avenir.
- Nettoyez l'appareil (voir ==> Nettoyage et entretien).
- Vérifiez que l'appareil est complètement sec.
- Placez l'appareil sur une surface plane, stable et résistante à des températures élevées et les projections de liquides.

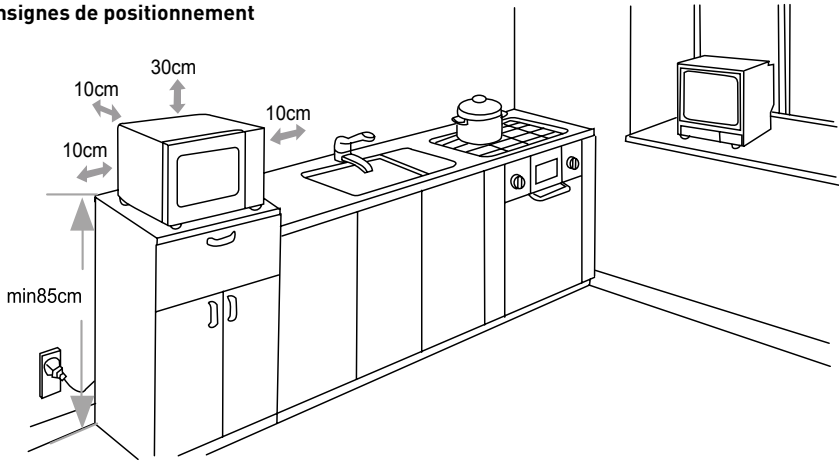
- Ne placez pas l'appareil à proximité d'objets qui sont sensibles aux perturbations provoquées par l'émission d'un rayonnement magnétique (par exemple les radios, les lecteurs de cassettes).

ATTENTION: En raison des résidus de production, l'appareil peut émettre une faible odeur caractéristique au début du fonctionnement. Ce phénomène est tout à fait normal et ne signifie pas un mauvais fonctionnement ou le fonctionnement dangereux. Assurez-vous que l'appareil est bien ventilé.

FR



Consignes de positionnement



Fonctionnement

- Placez le four à micro-ondes sur une surface plane, sèche et stable résistante aux températures élevées. Pour assurer une bonne circulation de l'air, laissez autour de l'appareil un espace libre selon les instructions suivantes :
 - au-dessus du four : 30 cm
 - derrière le four : 10 cm
 - à côté du four : 10 cm
- Ouvrez la porte du four à micro-ondes (9), en appuyant le bouton d'ouverture de la porte (2).
- Placez l'élément rotatif (4) et le plateau tournant en verre (5) dans une bonne position. En plaçant les éléments ci-dessus dans la mauvaise position entraînera le blocage du plateau (5). (Voir ==> Montage du plateau tournant).
- Connectez la fiche à une prise électrique appropriée.
- Assurez-vous que le cordon d'alimentation n'est pas endommagé et n'a pas été placé sous le four à micro-ondes ou au-dessus des surfaces pointues ou chaudes.
- Le cordon d'alimentation doit être branché à la prise électrique à laquelle l'accès n'est pas difficile pour pouvoir déconnecter l'appareil de la source d'alimentation en cas de toute panne.
- **ATTENTION:** Le support de grillage (7) ne peut être utilisé qu'en mode de grillage.
- Le plateau tournant (5) doit être utilisé dans chaque mode : mode standard, mode de grillage et mode combiné.
- Pendant l'utilisation du support de grillage (7) utilisez les plats appropriés qui ne touchent pas les parois de l'appareil.
- Placez les aliments dans un récipient approprié et fermez la porte (9).

ATTENTION:

- Ne placez pas le four à micro-ondes dans des endroits d'émission de la chaleur ou qui sont très humides, ainsi que dans des endroits proches des matériaux inflammables.

Réglage de la puissance et de la minuterie :

- Réglez la puissance appropriée de l'appareil en tournant le bouton sur le panneau de commande (1) à la puissance désirée. (Mode standard, de grillage et combiné).
- Réglez le temps de fonctionnement (plage : 0 min ~ 35 min), en tournant le bouton du temps à la valeur désirée.
- Le four commence automatiquement à fonctionner après le réglage de l'alimentation et du temps.
- Après l'expiration du temps réglé un signal acoustique est émis et l'appareil s'arrête de fonctionner.
- Les aliments peuvent être retirés de l'appareil. Si nécessaire, utilisez les gants de cuisine (non fournis). Faites attention aux surfaces chaudes de l'appareil.
- Si l'appareil n'est pas utilisé, réglez la minuterie sur la valeur „0”.

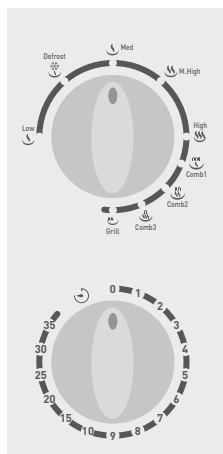


Fig. 1

Fonction	Puissance initiale estimée	Utilisation
Puissance faible	120 W	Décongeler légèrement la glace
Décongélation	230 W	Chauffer la soupe, remollir du beurre ou décongeler
Puissance moyenne	385 W	Préparer le goulasch, les poissons
Puissance moyennement élevée	540 W	Préparer le riz, les poissons, le poulet, la viande hachée
Puissance élevée	700 W	Chauffer le lait, les légumes, de l'eau bouillante, réchauffer d'autres boissons

Attention: Le tableau ci-dessus détermine uniquement le niveau de puissance initiale du four à micro-ondes et non pas le niveau de la puissance de grillage ou la consommation d'énergie de l'appareil. Les informations ci-dessus sont présentées uniquement à titre informatif.

Fonction	Programme	Utilisation
Mode combiné 1	80% du temps : mode grillage ; 20% du temps : mode standard ;	Griller les steaks, la viande hachée, les kebabs, les saucisses, les morceaux de poulet
Mode combiné 2	70% du temps : mode grillage ; 30% du temps : mode standard ;	Les parties du poulet, de la longe de porc, des poissons
Mode combiné 3	60% du temps : mode grillage ; 40% du temps : mode standard ;	Poudings, omelettes, carottes rôties, autres légumes
Mode grillage	100% du temps : mode grillage ;	Pain rôti, repas tranchés

REMARQUE:

1. Le tableau ci-dessus présente le programme de combinaison du mode standard et du mode grillage.
2. Avant de retirer les aliments du four assurez-vous que l'appareil est éteint (la minuterie est réglée sur la valeur „0”). Sinon, vous pouvez endommager l'appareil en retirant les aliments.
3. Les tableaux ci-dessus ne sont présentés qu'à titre d'information. La durée réelle de la préparation des aliments et le réglage de la puissance dépendent de l'effet désiré de la préparation des aliments dans le four. Si nécessaire, changez manuellement le temps de la préparation des aliments et le réglage.



Conseils pour préparer la nourriture au four

- Si nécessaire, l'appareil peut être ouvert à tout moment pendant le fonctionnement, par exemple pour tourner ou mélanger les aliments ou pour vérifier la préparation.
- Pour terminer le processus de préparation des aliments, réglez la minuterie sur la position „0”.
- Les aliments peuvent être retirés de l'appareil. Si nécessaire, utilisez les gants (non fournis). Faites attentions aux surfaces chaudes de l'appareil.
- Si l'appareil n'est pas utilisé, réglez la minuterie sur „0”.

Nettoyage et entretien

ATTENTION: Avant le nettoyage et l'entretien de l'appareil, débranchez l'appareil de la source d'alimentation en retirant la fiche de la prise électrique et attendez jusqu'à ce que l'appareil refroidisse complètement.

Nettoyage

- N'immergez jamais l'appareil dans l'eau ou d'autres liquides.
- Après le refroidissement de la surface externe, nettoyez-la avec un chiffon humide ou une éponge, avec une petite quantité d'une solution de détergent doux.
- N'utilisez jamais pour le nettoyage des parties internes et externes des éponges abrasives ou des détergents abrasives ou des éponges en laine d'acier ou des instruments métalliques.
- Le plateau tournant (5) peut être retiré pour le nettoyage. Lors du nettoyage du plateau tournant (5) soyez prudent pour ne pas l'endommager. Lavez le plateau avec de l'eau chaude savonneuse.
- Nettoyez régulièrement l'élément rotatif (4) et le fond du compartiment du four pour des raisons d'hygiène et pour assurer une bonne rotation de l'élément (4).
- La lampe à l'intérieur du compartiment du four peut être remplacée, mais cette intervention doit être réalisée par un technicien du service agréé.

Stockage

- Avant de la mise de l'appareil en stock, assurez-vous toujours que l'appareil a été débranché de la prise électrique et a complètement refroidi.
- Tenez l'appareil dans un endroit frais, propre et sec.

Diagnostic

Si l'appareil ne fonctionne pas correctement, lisez les instructions dans le tableau ci-dessous pour trouver une bonne solution. Si vous ne pouvez pas résoudre le problème, contactez votre revendeur.

Problème	Cause possible	Solution possible
L'appareil ne s'allume pas.	- La fiche n'est pas correctement connectée à la prise électrique. - La minuterie est réglée sur „0”. - La porte du four (9) n'a pas été correctement fermée.	- Vérifiez si la fiche est correctement insérée dans la prise électrique. - Réglez la minuterie sur la valeur souhaitée. - Assurez-vous que la porte (9) est correctement fermée.
Pendant le fonctionnement le plateau tournant (5) émet des bruits.	- Le plateau tournant en verre (5) n'a pas été correctement monté. - Il y a de la nourriture au fond du compartiment du four et la surface n'est pas plate.	- Assurez-vous que le plateau tournant (5) a été correctement monté. - Nettoyez le fond du compartiment de tout résidu empêchant la rotation du plateau.



Caractéristiques techniques

Numéro de produit	281710
Tension et fréquence	230V~ 50Hz
Fréquence des micro-ondes	2450 MHz
Consommation électrique (mode standard)	1050 W
Puissance nominale initiale (mode standard)	700 W
Consommation électrique (mode grillage)	1000 W
Capacité du compartiment du four	20 litres
Réglage de la minuterie	0 min ~ 35 min
Classe de protection	Classe I
Dimensions	440 x 330 x (H) 259 mm

REMARQUE : Les caractéristiques techniques peuvent être modifiées sans préavis.

Garantie

Tout vice ou toute défaillance entraînant un dysfonctionnement de l'appareil qui se déclare dans les 12 mois suivant la date de l'achat sera éliminé à titre gratuit ou l'appareil sera remplacé par un appareil nouveau si le premier a été dûment exploité et entretenu conformément aux termes de la notice d'exploitation et s'il n'a pas été indûment exploité ou de manière non conforme à sa destination. La présente stipulation ne porte pas de préjudice aux autres droits de l'utilisateur prévus par les dispositions légales. Dans le cas où l'appareil

est donné à la réparation ou doit être remplacé dans le cadre de la garantie, il y a lieu de spécifier le lieu et la date de l'achat de l'appareil et produire un justificatif nécessaire (par ex. facture ou ticket de caisse).

Conformément à notre politique d'amélioration permanente de nos produits, nous nous réservons le droit d'introduire sans avertissement préalable des modifications à l'appareil, à l'emballage et aux caractéristiques techniques précisées dans la documentation.

Élimination et protection de l'environnement

En cas de retrait du produit de l'exploitation l'appareil ne peut pas être jeté avec d'autres déchets ménagers. L'utilisateur est responsable de la remise de l'équipement au point de collecte approprié pour l'équipement usagé. Le non-respect des dispositions ci-dessus peut entraîner les pénalités conformément à la réglementation applicable en matière d'élimination des déchets. La collecte sélective et le recyclage des équipements usagés contribuent à la conservation des ressources natu-

relles et assurent un recyclage sans danger pour la santé et l'environnement.

Pour plus d'informations sur les endroits de collecte des équipements usagés pour le recyclage, contactez la société de collecte des déchets locale. Le producteur et l'importateur ne sont pas responsables du recyclage et du traitement des déchets d'une manière respectueuse de l'environnement directement et dans le système public.


FR



Gentile Cliente,

Grazie per aver acquistato questo apparecchio Hendi. Leggere attentamente questo manuale, prestando particolare attenzione alle norme di sicurezza descritte di seguito, prima di installare e utilizzare questo apparecchio per la prima volta.

Norme di sicurezza

- Questo apparecchio è destinato al buffet e all'uso domestico.
- Utilizzare l'apparecchio solo per lo scopo previsto per il quale è stato progettato come descritto nel presente manuale.
- Il produttore non è responsabile per eventuali danni causati da un funzionamento scorretto e da un uso improprio.
- Tenere l'apparecchio e la spina elettrica lontano da acqua e altri liquidi. Nel caso in cui l'apparecchio cada in acqua, rimuovere immediatamente la spina di alimentazione dalla presa. Non utilizzare l'apparecchio fino a quando non è stato controllato da un tecnico certificato. Il mancato rispetto di queste istruzioni causerà rischi pericolosi per la vita.
- Non tentare mai di aprire l'alloggiamento dell'apparecchio da soli.
- Non inserire oggetti nell'alloggiamento dell'apparecchio.
- Non toccare la spina con le mani bagnate o umide.
-  **PERICOLO DI SCOSSE ELETTRICHE!** Non tentare di riparare l'apparecchio da solo, le riparazioni devono essere eseguite solo da personale qualificato.
- **Non utilizzare mai un apparecchio danneggiato!** Quando è danneggiato, scollegare l'apparecchio dalla presa e contattare il rivenditore.
- **AVVERTIMENTO!** Non immergere le parti elettriche dell'apparecchio in acqua o altri liquidi.
- Non tenere mai l'apparecchio sotto l'acqua corrente.
- Controllare regolarmente la spina e il cavo di alimentazione per eventuali danni. Se danneggiato, deve essere sostituito da un agente di servizio o da una persona altrettanto qualificata al fine di evitare pericoli o lesioni.
- Assicurarsi che il cavo non entri in contatto con oggetti appuntiti o caldi e tenerlo lontano dal fuoco aperto. Non tirare mai il cavo di alimentazione per scollegarlo dalla presa, staccare sempre la spina.
- Assicurarsi che il cavo di alimentazione e/o la prolunga non causino rischi di inciampare.
- Non lasciare mai l'apparecchio incustodito durante l'uso.
- **AVVERTIMENTO!** Finché la spina si trova nella presa, l'apparecchio è collegato alla fonte di alimentazione.
- Spegnerne l'apparecchio prima di scollegarlo dalla presa.
- Collegare la spina di alimentazione a una presa elettrica facilmente accessibile in modo che in caso di emergenza l'apparecchio possa essere scollegato immediatamente.

IT



- Non portare mai l'apparecchio con il cavo.
- Non utilizzare dispositivi aggiuntivi non forniti insieme all'apparecchio.
- Collegare l'apparecchio a una presa elettrica solo con la tensione e la frequenza indicati sull'etichetta dell'apparecchio.
- Non utilizzare mai accessori diversi da quelli consigliati dal produttore. In caso contrario, potrebbe comportare un rischio per la sicurezza dell'utente e danneggiare l'apparecchio. Utilizzare solo parti e accessori originali.
- Questo apparecchio non deve essere utilizzato da persone con capacità fisiche, sensoriali o mentali ridotte o da persone che hanno una mancanza di esperienza e conoscenze.
- Questo apparecchio non deve, in nessun caso, essere utilizzato dai bambini.
- Tenere l'apparecchio e il suo cavo di alimentazione fuori dalla portata dei bambini.
- **ATTENZIONE:** spegnere SEMPRE l'apparecchio e scollegarlo dalla presa di corrente prima della pulizia, della manutenzione o della conservazione.

Norme speciali di sicurezza

- Questo apparecchio è destinato unicamente al riscaldamento, allo scongelamento, alla grigliatura e alla cottura di alimenti e di bevande. L'essiccazione di alimenti e di indumento nonché il riscaldamento dei cuscini riscaldanti, delle pantofole, delle spugne e dei panni umidi ecc. può causare lesioni personali o incendio.
- Utilizzare l'apparecchio solo in base alle presenti istruzioni.
- L'apparecchio è destinato ad essere utilizzato a casa e altri luoghi come;
 - cucine per gli impiegati dei negozi, degli uffici ed in altri luoghi di lavoro
 - aziende agricole;
 - cucine destinate ad essere utilizzate dagli ospiti in alberghi motel e altre zone residenziali;
 - alberghi tipo „bed and breakfast”.

IT



ATTENZIONE! Superficie calda! Durante il funzionamento, la porta e altre superfici disponibili si riscaldano a temperature molto elevate. Toccare unicamente il pannello di controllo.

- Non avviare l'apparecchio prima di posizionare l'alimento, per non danneggiarlo.
- Per preparare i piatti nel forno a microonde, utilizzare unicamente i recipienti idonei per essere utilizzati nel forno. Non utilizzare i recipienti o la posata fatti di metallo o contenenti metallo, foglio di alluminio, cristallo di piombo, plastica non resistente a temperature elevate, o contenenti fermagli o legami di filo. Non utilizzare le ciotole di metallo o le tazze di plastica col coperchio parzialmente rimosso. Pericolo di incendio.
- A causa del rischio di accensione, osservare il processo di preriscaldamento alimentare imballato in contenitori in plastica o in carta.
- Se si nota il fumo, spegnere l'apparecchio o rimuovere la spina dalla presa e non aprire la porta. Questo permetterà che il fuoco venga spento più rapidamente.



- Non utilizzare il forno a microonde a meno che il cibo non sia posto all'interno. Questo è molto pericoloso.
- Non utilizzare il forno a microonde se la porta è aperta, in quanto per evitare di causare l'esposizione a radiazione a microonde. Non rimuovere o modificare le serrature di sicurezza.
- Non scaldare le uova a microonde in guscio o uova sode bollite in quanto possono esplodere anche se il processo di riscaldamento è stato terminato.
- **AVVERTENZA:** Se le guarnizioni della porta o la porta sono danneggiate, non utilizzare il forno a microonde finché le riparazioni non vengono eseguite da un tecnico autorizzato.
- **AVVERTENZA:** È pericoloso eseguire qualsiasi operazione di manutenzione o di riparazione che consiste nel rimuovere una copertura che protegge contro l'esposizione a radiazioni a microonde da persone diverse da un tecnico autorizzato.
- **AVVERTENZA:** Non scaldare nel forno a microonde liquidi o altro cibo in contenitori chiusi, in bottiglie, ecc. per non causare esplosioni del contenitore, bottiglie ecc.
- **AVVERTENZA:** Per evitare bruciature, il contenuto delle bottiglie o dei vasetti per alimenti per bambini deve essere agitato o mescolato; prima di mangiare si deve controllare la temperatura della bevanda o del cibo.
- **AVVERTENZA:** Il riscaldamento delle bevande nel forno a microonde può provocare un'ebollizione ritardata. Fare attenzione durante la movimentazione del recipiente.
- L'apparecchio non deve essere incassato. Non ostruire le aperture di ventilazione dell'apparecchio. Le informazioni sullo spazio da lasciare intorno all'apparecchio per garantire un corretto flusso d'aria si trovano nella sezione "Prima dell'uso".
- I recipienti possono diventare caldi quando sono a contatto con il cibo caldo. Per rimuovere il cibo nell'apparecchio, utilizzare guanti da cucina (non inclusi).
- Pulire regolarmente l'apparecchio e rimuovere eventuali residui alimentari dal compartimento di cottura.
- In caso di non mantenere l'apparecchio pulito si può provocare un deterioramento della superficie che, a sua volta, può influenzare negativamente la durata dell'apparecchio e provocare una situazione pericolosa.
- Non utilizzare il forno a microonde come spazio per conservare il cibo. Non conservare nel forno a microonde i cibi come il pane, i biscotti ecc.
- Il dispositivo non è progettato per essere utilizzato con un timer esterno o un sistema di controllo a distanza separato.
- Fare attenzione quando si posiziona il cibo nel forno a microonde per evitare danni al piatto girevole.
- **ATTENZIONE!** Fare passare correttamente e fissare il cavo di alimentazione per evitare tirature accidentali o contatto con la superficie calda.
- Non pulire l'apparecchio con acqua. Il lavaggio dell'apparecchio può causare la penetrazione di acqua nelle parti elettriche e causare scosse elettriche.

- Non pulire o mettere l'apparecchio nel luogo di stoccaggio fino a quando non si è raffreddato completamente.
- Le parti dell'apparecchio non devono essere lavate nella lavastoviglie.

Utilisation prévue

- Questo apparecchio è destinato al buffet e all'uso domestico.
- Questo microonde è progettato per scaldare o scongelare alimenti usando i patti adatti. Qualsiasi altro utilizzo può portare al danneggiamento del microonde o a lesioni alle persone.
- L'uso del dispositivo per qualsiasi altro scopo sarà considerato un uso improprio. L'utente sarà l'unico responsabile per l'uso scorretto del dispositivo.

Installation de mise à la terre

Cet appareil est classé dans la **classe de protection I** et doit être raccordé à un sol de protection. La mise à la terre réduit le risque de choc électrique en fournissant un fil d'évacuation pour le courant électrique. Cet appareil est

équipé d'un cordon d'alimentation muni d'un fil de mise à la terre et d'une prise mise à la terre. La fiche doit être branchée sur une prise correctement installée et mise à la terre.

Recipienti

L'utilizzo di certi recipienti nel forno a microonde, come i recipienti che non sono fatti di metallo può essere pericoloso. In caso di dubbi che un determinato recipiente può essere utilizzato in un forno a microonde, realizzare la prova secondo le seguenti istruzioni:

Prova del recipiente:

Riempire il contenitore che si desidera testare nel forno a microonde versando 1 bicchiere (250 ml) di acqua fredda e mettere il contenitore nel compartimento del forno. Scaldare per 1 minuto usando una massima potenza.

Toccare con cura il recipiente di prova. Se è caldo, **NON** è adatto per essere utilizzato nei forni a microonde. Non riscaldare il recipiente per più di 1 minuto.



Elenco di utensili da cucina

Il presente elenco di utensili da cucina vi permetterà di scegliere gli utensili adeguati:

Utensile da cucina	Modalità standard	Modalità di grigliatura	Modalità combinata	Osservazioni
Vetro resistente alle alte temperature	✓	✓	✓	
Vetro non resistente alle alte temperature	x	x	x	
Ceramica resistente alle alte temperature	✓	✓	✓	
Utensili in plastica adatti per l'utilizzo in forni a microonde	✓	x	x	Non adatto per l'utilizzo in temperature elevate.
Asciugamani di carta	✓	x	x	Unicamente il riscaldamento corto sotto la supervisione dell'utente.
Vassoi di metallo	x	✓	x	Durante il funzionamento dell'apparecchio appaiono le scintille.
Supporto di metallo	x	✓	x	
Foglio di alluminio e contenitori di alluminio	x	✓	x	

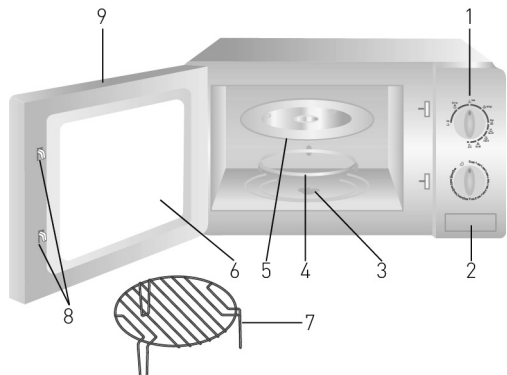
✓: Utilizzo consentito in modalità specificata. Utilizzare solo in conformità alle istruzioni del fabbricante. Ricordarsi di rimuovere il coperchio se il recipiente lo possiede. Se la superficie del recipiente è incrinata o danneggiata, non metterlo nel forno.

x: Non adatto per l'uso in una modalità specificata.

IT

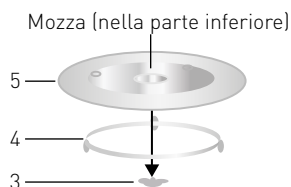
Principali parti dell'apparecchio

1. Pannello di controllo (vedere la fig. 1)
2. Pulsante di apertura della porta
3. Albero del piatto girevole
4. Elemento rotante
5. Piatto girevole in vetro
6. Finestra di vetro
7. Supporto per grigliatura (da utilizzare unicamente nella modalità di grigliatura)
8. Meccanismo di chiusura della porta
9. Porta



Installazione del piatto girevole

- Non mettere mai il piatto girevole (5) il basso verso l'alto.
- Durante il funzionamento nel forno a microonde deve essere installato l'elemento rotante (4), così come il piatto (5).
- Il cibo e le bevande devono essere messe sul piatto girevole di vetro (5).
- Posizionare l'elemento rotante (4) e il piatto girevole (5) perpendicolare all'albero del piatto girevole (3). Assicurarsi che l'elemento e il piatto ruotino liberamente.
- Dopo ogni uso lavare il piatto girevole (5).
- **ATTENZIONE:** NON utilizzare il forno a microonde se il piatto girevole (5) o l'elemento rotante (4) si rompe o sia danneggiato - contattare immediatamente il rivenditore.
- Utilizzare solo l'elemento rotante (4) e il piatto girevole in vetro (5) che sono forniti con l'apparecchio.



Prima del primo utilizzo

- Rimuovere e eliminare l'imballaggio e le protezioni.
- Controllare l'apparecchio e gli accessori per la completezza. In caso di consegna incompleta o di danni contattare il fornitore (Vedere ==> Garanzia).
- Conservare la confezione se si intende riporre l'elettrodomestico in futuro.
- Pulire l'apparecchio (Vedere ==> Pulizia e manutenzione).
- Verificare che il prodotto è completamente asciutto.
- Posizionare l'apparecchio su una superficie stabile, resistente alle alte temperature e spruzzi di liquidi.

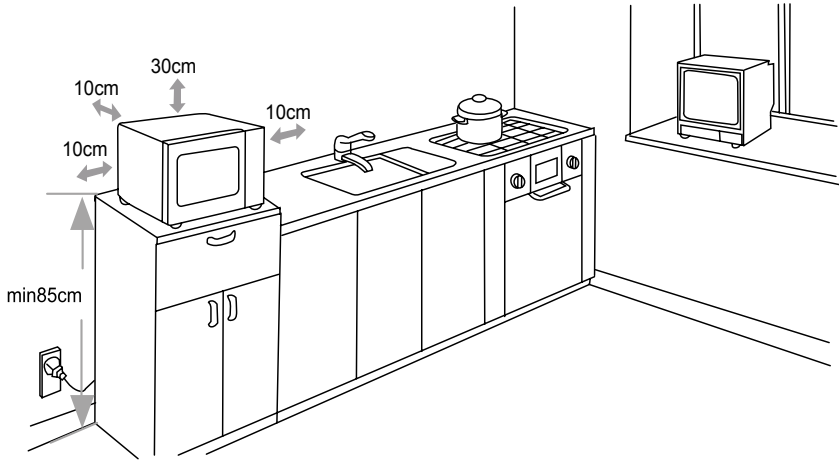
- Non posizionare l'apparecchio in prossimità di oggetti che sono sensibili a disturbi causati dalle emissioni di radiazioni magnetiche (ad es. radio, lettori di cassette).

ATTENZIONE: A causa di residui di produzione, l'apparecchio può emettere un odore debole e caratteristico all'inizio del funzionamento dell'apparecchio. Questo è normale e non significa che il funzionamento non corretto o pericoloso. Assicurarsi che l'apparecchio è ben ventilato.

IT



Linee guida per la posizione



Funzionamento

- Posizionare il forno a microonde su una superficie piana, stabile, asciutta e resistente alle temperature elevate. Per garantire un corretto flusso d'aria, lasciare libero lo spazio attorno all'apparecchio secondo le seguenti istruzioni:
 - sopra il forno: 30 cm
 - sotto il forno: 10 cm
 - sui lati del forno: 10 cm
- Aprire la porta del forno a microonde (9), premendo il pulsante di apertura della porta (2).
- Posizionare l'elemento rotante (4) e il piatto girevole di vetro (5) nella posizione corretta. Se gli elementi di cui sopra non sono posizionati nella posizione corretta, la rotazione del piatto girevole sarà bloccata (5). (Vedere ==> Installazione del piatto girevole).
- Collegare la spina ad una presa appropriata.

NOTA:

- Non posizionare il forno a microonde nelle zone dove il calore è emesso o che sono umidi, nonché vicino a materiali infiammabili.
- Assicurarsi che il cavo di alimentazione non sia danneggiato, non passa sopra il forno o sotto le superfici taglienti o calde.
- Il cavo di alimentazione deve essere collegato ad una presa elettrica con il facile accesso in modo che l'apparecchio possa essere scollegato dall'alimentatore in caso di malfunzionamento.
- **NOTA:** Il supporto di grigliatura (7) può essere utilizzato solo in modalità di grigliatura.
- Il piatto girevole (5) deve essere utilizzato in tutte le modalità: modalità standard, modalità di grigliatura e modalità combinata.
- Durante l'utilizzo del supporto di grigliatura (7) utilizzare i recipienti appropriati in modo che esso non tocchi le pareti dell'apparecchio.
- Posizionare il cibo nell'apposito recipiente e chiudere la porta (9).

Impostazione del livello di potenza e del timer:

- Impostare l'alimentazione ruotando la manopola di controllo sul pannello di controllo (1) alla potenza desiderata (modalità standard, di grigliatura e combinata).
- Impostare il tempo di funzionamento (intervallo: 0 min. ~ 35 min.), ruotando la manopola del tempo sul valore selezionato.
- Il forno a microonde comincia automaticamente a funzionare dopo aver impostato la potenza e il tempo.
- Dopo il tempo determinato, un segnale acustico sarà emesso e l'apparecchio smette di funzionare.
- Il cibo può essere rimosso dall'apparecchio. Se necessario, utilizzare guanti da cucina (non inclusi). Attenzione alle superfici calde.
- Se l'apparecchio non è in uso, impostare il timer sul valore „0”.

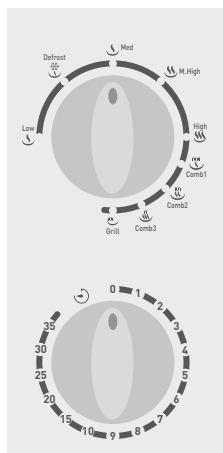


Fig. 1

Funzione	Potenza iniziale stimata	Utilizzo
Potenza bassa	120 W	Scongelare leggermente i gelati.
Scongelamento	230 W	Riscaldare la zuppa, ammorbidire il burro o scongelarlo.
Potenza media	385 W	Preparare di gulasch, pesci.
Potenza mediamente alta	540 W	Preparare riso, pollo, carne macinata.
Potenza alta	700 W	Riscaldare latte, verdure, acqua bollente, riscaldare altre bevande.

ATTENZIONE: La tabella precedente presenta solo i livelli di potenza iniziale stimata del forno a microonde e non il livello di potenza del grill o il consumo energetico dell'apparecchio. I dati di cui sopra sono presentate solo a scopo informativo.

Funzione	Programma	Utilizzo
Modalità combinata 1	80% del tempo: Modalità di grigliatura; 20% del tempo: Modalità standard;	Grigliare bistecche, carni macinate, kebab, salsicce e parti di pollo.
Modalità combinata 2	80% del tempo: Modalità di grigliatura; 20% del tempo: Modalità standard;	Parti di pollo, lombo da maiale, pesci.
Modalità combinata 3	60% del tempo: Modalità di grigliatura; 40% del tempo: Modalità standard;	Pudding, omelette, carote arrostiti e altri legumi.
Modalità di grigliatura	100% del tempo: Modalità di grigliatura;	Pane cotto nel forno, piatti affettati.

NOTA:

1. La tabella riportata sopra presenta il programma di combinazione della modalità standard e della modalità di grigliatura.
2. Prima di rimuovere il cibo dal forno accertarsi che l'apparecchio sia spento (il timer impostato su "0"). Altrimenti, l'apparecchio potrebbe essere danneggiato durante la rimozione del cibo.
3. Le tabelle sopra riportate presentano i dati solo a scopo informativo. La durata reale della preparazione del cibo e le impostazioni della potenza dipendono dall'effetto desiderato di preparazione del cibo nel forno a microonde. Se necessario, modificare manualmente la durata di preparazione e le impostazioni della potenza.



Consigli riguardanti la preparazione del cibo nel forno

- Se necessario, l'apparecchio può essere aperto in qualsiasi momento durante il suo funzionamento, per esempio per ruotare o mescolare il cibo o per controllare la preparazione.
- Per completare il processo di preparazione del cibo, impostare il selettore orario su „0“.
- Il cibo può essere rimosso dal forno. Se necessario, utilizzare guanti da cucina (non inclusi). Attenzione alle superfici calde.
- Se l'unità non è in uso, impostare il timer su „0“.

Pulizia e manutenzione

ATTENZIONE: Prima della pulizia o prima di mettere l'apparecchio in deposito, scollegare sempre l'apparecchio dalla presa di corrente e lasciare raffreddare il fornello.

Pulizia

- Non immergere l'apparecchio in acqua o altri liquidi.
- Dopo il raffreddamento della superficie esterna, pulirla con un panno umido o una spugna umida con una piccola quantità di un detergente per pulizia.
- Non usare mai per la pulizia dell'interno o dell'esterno dell'apparecchio spugne abrasive o detersivi abrasivi o spugne di lana d'acciaio o strumenti metallici.
- Il piatto girevole (5) può essere rimosso per la pulizia. Durante la pulizia del piatto girevole (5) prestare particolare attenzione per evitare danni all'apparecchio. Lavare il piatto con acqua tiepida e il sapone.
- Pulire regolarmente l'elemento rotante (4) e il fondo del compartimento del forno per scopi igienici e per assicurare che l'elemento sia ruotato correttamente (4).
- La lampada all'interno del forno può essere sostituita, ma questa operazione deve essere eseguita da un tecnico qualificato.

Stoccaggio

- Prima di mettere l'apparecchio in deposito assicurarsi che è stato scollegato dalla presa di corrente e che è raffreddato completamente.
- Conservare l'apparecchio in un luogo fresco, pulito e asciutto.

Risoluzione dei problemi

Se l'apparecchio non funziona correttamente, leggere la tabella qui sotto per trovare la soluzione corretta. Se non è possibile risolvere il problema, contattare il rivenditore.

Problema	Causa possibile	Soluzione possibile
L'apparecchio non si accende.	<ul style="list-style-type: none">- La spina non è correttamente collegata alla presa elettrica.- Il timer è impostato sul valore „0“.- La porta del forno (9) non è correttamente chiusa.	<ul style="list-style-type: none">- Assicurarsi che la spina sia inserita nella presa elettrica.- Impostare la manopola del timer sul valore desiderato.- Assicurarsi che la porta (9) è correttamente chiusa.
Durante il funzionamento dell'apparecchio il piatto girevole di vetro (5) emette il rumore.	<ul style="list-style-type: none">- Il piatto girevole di vetro (5) non è stato correttamente installato.- Nella parte inferiore del forno ci sono i residui del cibo, quindi la superficie non è piatta.	<ul style="list-style-type: none">- Assicurarsi che il piatto girevole di vetro (5) è stato correttamente installato.- Pulire la parte inferiore del compartimento di qualsiasi residuo che impediscono la rotazione del piatto.

Specifiche tecniche

Numero del prodotto	281710
Tensione e frequenza	230V~ 50Hz
Frequenza a microonde	2450 MHz
Consumo nominale di energia (Modalità standard)	1050 W
Potenza nominale iniziale (Modalità standard)	700 W
Consumo nominale di energia (Modalità di grigliatura)	1000 W
Capacità del compartimento del forno	20 litri
Intervallo di impostazione del timer	0 min ~ 35 min
Classe di protezione	Classe I
Dimensioni	440 x 330 x (H) 259 mm

NOTA: Le specifiche tecniche sono soggette a modifiche senza preavviso.

Garanzia

Qualsiasi difetto che influenza la funzionalità del dispositivo che compaia entro un anno dall'acquisto sarà corretto a titolo interamente gratuito o con la sostituzione del prodotto che è stato utilizzato e sottoposto a manutenzione corretta seguendo le istruzioni, senza alcuna violazione. I diritti legali del cliente non sono assolutamente modificati. Nel caso in cui l'intervento di manutenzione o sostituzione sia

previsto nel periodo di validità della garanzia, precisare dove e quando si è acquistato il prodotto, possibilmente allegando lo scontrino.

In linea con la nostra politica di sviluppo continuo dei prodotti, ci riserviamo il diritto di modificare il prodotto, l'imballo e le specifiche di documentazione, senza notifica alcuna.

IT

Smaltimento e protezione dell'ambiente

In caso di ritiro dell'apparecchiatura dal funzionamento il prodotto non può essere smaltito con altri rifiuti domestici. L'utente è responsabile della consegna dell'attrezzatura al punto di raccolta appropriato per l'attrezzatura usata. Il mancato rispetto delle disposizioni sopramenzionate può comportare l'imposizione di sanzioni in conformità con le normative vigenti in materia di smaltimento dei rifiuti. La raccolta e il riciclaggio selettivi di attrezzature


usate contribuiscono alla conservazione delle risorse naturali e garantiscono il riciclaggio in modo tale da non nuocere alla salute e all'ambiente. Per ulteriori informazioni sui luoghi di smaltimento delle apparecchiature usate per il riciclaggio, contattare la società locale di raccolta dei rifiuti. Il produttore e l'importatore non sono responsabili per il riciclaggio e il trattamento dei rifiuti in modo ecologico, sia direttamente che nel quadro del sistema pubblico.



Stimate client,

Vă mulțumim pentru achiziționarea acestui aparat Hendi. Citiți cu atenție acest manual, acordând o atenție deosebită reglementărilor de siguranță prezentate mai jos, înainte de a instala și utiliza acest aparat pentru prima dată.

Regulile de siguranță

- Acest aparat este destinat uzului casnic și pentru bufet.
- Utilizați aparatul numai în scopul pentru care a fost proiectat conform descrierii din acest manual.
- Producătorul nu este răspunzător pentru nici o deteriorare cauzată de funcționarea incorectă și de utilizarea necorespunzătoare.
- Păstrați aparatul și ștecherul departe de apă și de alte lichide. În cazul în care aparatul cade în apă, scoateți imediat ștecherul de alimentare din priză. Nu utilizați aparatul înainte de verificarea acestuia de către un tehnician certificat. Nerespectarea acestor instrucțiuni va cauza riscuri care pun viața în pericol.
- Nu încercați niciodată să deschideți singur carcasa aparatului.
- Nu introduceți obiecte în carcasa aparatului.
- Nu atingeți ștecherul cu mâinile umede sau umede.
-  **PERICOL DE ȘOC ELECTRIC!** Nu încercați să reparați singur aparatul, reparațiile trebuie efectuate numai de personal calificat.
- **Nu folosiți niciodată un aparat deteriorat!** Când este deteriorat, deconectați aparatul de la priză și contactați distribuitorul.
- **AVERTISMENT!** Nu scufundați părțile electrice ale aparatului în apă sau alte lichide.
- Nu țineți niciodată aparatul sub jet de apă.
- Verificați cu regularitate ștecherul și cablul de alimentare pentru orice deteriorare. În cazul deteriorării, acesta trebuie înlocuit de un agent de service sau de o persoană calificată în mod similar, pentru a evita pericolul sau rănirea.
- Asigurați-vă că cablul nu intră în contact cu obiecte ascuțite sau fierbinți și păstrați-l departe de focul deschis. Nu trageți niciodată cablul de alimentare pentru a-l deconecta de la priză, trageți întotdeauna ștecherul în schimb.
- Asigurați-vă că cablul de alimentare și/sau cablul prelungitor nu provoacă pericol de deplasare.
- Nu lăsați niciodată aparatul nesupravegheat în timpul utilizării.
- **AVERTISMENT!** Atâta timp cât ștecherul este în priză, aparatul este conectat la sursa de alimentare.
- Opriti aparatul înainte de a-l deconecta de la priză.
- Conectați ștecherul la o priză electrică ușor accesibilă, astfel încât, în caz de urgență, aparatul să poată fi deconectat imediat.
- Nu purtați niciodată aparatul de cablu.
- Nu utilizați dispozitive suplimentare care nu sunt furnizate împreună cu aparatul.

- Conectați aparatul numai la o priză electrică cu tensiunea și frecvența menționate pe eticheta aparatului.
- Nu folosiți niciodată alte accesorii decât cele recomandate de producător. Nerespectarea acestui lucru ar putea reprezenta un risc de siguranță pentru utilizator și ar putea deteriora aparatul. Utilizați numai piese originale și accesorii.
- Acest aparat nu trebuie operat de persoane cu capacități fizice, senzoriale sau mentale reduse sau de persoane care au o lipsă de experiență și cunoștințe.
- Acest aparat nu ar trebui, în nici un caz, să fie utilizat de copii.
- Nu lăsați aparatul și cablul de alimentare la îndemâna copiilor.
- **AVERTISMENT:** Opriți întotdeauna aparatul și deconectați de la priză înainte de curățare, întreținere sau depozitare.

Regulamente speciale de siguranță

- Acest aparat este destinat reîncălzirii, dezghețării, frigerii și gătirii mâncărilor și băuturilor. Uscarea alimentelor sau hainelor și încălzirea pernelor termice, papucilor, bureților, hainelor umede și a altor asemenea pot duce la accidentări și la izbucnirea de incendii.
- Utilizați aparatul doar în conformitate cu indicațiile din acest manual.
- Acest aparat este conceput pentru a fi utilizat în gospodărie și la aplicații similare, cum ar fi :
 - în zonele de bucătărie destinate personalului din magazine, birouri și alte spații de lucru;
 - ferme;
 - de către clienții hotelurilor, motelurilor și ai altor spații rezidențiale;
 - în spații de tipul pensiunilor.

RO



ATENȚIE! Suprafață fierbinte! Temperatura ușii și a altor suprafețe accesibile este foarte ridicată în timpul utilizării. Atingeți doar panoul de comandă.

- Nu folosiți aparatul fără alimente în interiorul cuptorului întrucât aceasta poate avaria aparatul.
- Folosiți doar ustensile potrivite pentru a fi utilizate în cuptorul cu microunde. Nu folosiți recipiente sau tacâmuri care conțin metal, folie de aluminiu, sticlărie cu plumb, materiale plastice termosensibile, cleme din lemn sau metalice sau bride din sârmă. Nu folosiți vase cu margini striate sau vase din plastic cu capacul parțial îndepărtat. Risc de incendiu.
- Supravegheați cuptorul atunci când încălziți alimente în recipiente din material plastic sau din hârtie întrucât există posibilitatea de aprindere a acestora.
- Dacă iese fum, opriți sau scoateți aparatul din priză și țineți ușa închisă pentru a înăbuși flacăra.
- Nu utilizați niciodată aparatul fără ca în interior să se afle alimente; este foarte periculos.



- Nu încercați să utilizați acest cuptor cu microunde cu ușa deschisă, întrucât acest lucru poate duce la expunerea periculoasă la microunde. Este important să nu rupeți sau să nu șuntați comutatoarele de siguranță.
- Ouăle în coajă și ouăle fierte foarte bine nu trebuie încălzite în cuptorul cu microunde pentru că pot exploda, chiar și după ce s-a încheiat procesul de încălzire la microunde.
- **AVERTISMENT:** Dacă ușa sau garniturile acesteia sunt deteriorate, aparatul nu trebuie folosit până când nu este reparat de către un tehnician certificat.
- **AVERTISMENT:** Este periculos pentru oricine altcineva în afară de un tehnician autorizat să efectueze orice operațiune de întreținere sau reparații implicând îndepărtarea unui capac care oferă protecție împotriva expunerii la microunde.
- **AVERTISMENT:** Lichidele și alte alimente nu trebuie încălzite în recipiente etanșe întrucât pot exploda.
- **AVERTISMENT:** Conținutul biberoanelor și al borcanelor cu alimente pentru bebeluși trebuie amestecat sau agitat, iar temperatura acestora trebuie verificată înainte de utilizare pentru a evita arsurile.
- **AVERTISMENT:** Încălzirea băuturilor la microunde poate duce la fierbere eruptivă întârziată, prin urmare manevrați cu atenție recipientul.
- Acest aparat este conceput pentru a fi utilizat independent. Nu blocați orificiile de ventilație. Informațiile privind păstrarea unui spațiu corespunzător (în partea de sus / în spate / lateral) pentru circulația adecvată a aerului se pot găsi în sesiunea „Înainte de utilizare”.
- Farfuriile se pot încinge în timpul încălzirii mâncării. Folosiți mănuși pentru cuptor (nu se livrează) atunci când scoateți mâncarea din aparat.
- Cuptorul cu microunde trebuie curățat în mod regulat, iar resturile alimentare trebuie îndepărtate.
- Dacă aparatul nu este menținut într-o stare bună de curățenie, acest lucru va deteriora suprafața, ceea ce va afecta aparatul și ar putea duce la situații periculoase.
- Nu folosiți incinta cuptorului pentru a depozita lucruri. Nu depozitați obiecte, precum pâine, prăjituri etc. în interiorul cuptorului.
- Acest cuptor cu microunde nu este construit spre a fi utilizat cu ajutorul unui cronometru extern sau al unui sistem de control separat.
- Puneți încet mâncarea în cuptor pentru a nu deteriora masa rotativă din sticlă.
- **ATENȚIE!** Așezați corespunzător cablul de alimentare, dacă este cazul, pentru a împiedica tragerea neintenționată sau contactul cu suprafața de încălzire.
- Nu spălați aparatul cu apă. La spălare se pot produce scurgeri, ceea ce va crește riscul de scurt-circuit.
- Nu curățați și nu depozitați aparatul decât după ce s-a răcit complet.
- Niciuna dintre piese nu poate fi curățată în mașina de spălat vase.

Utilizare preconizată

- Acest aparat este destinat uzului casnic și pentru bufet.
- Cuptorul cu microunde este proiectat numai pentru încălzirea și dezghețarea produselor alimentare utilizând mancaruri adecvate. Orice alta utilizare poate duce la deteriora-

rea cuptorului cu microunde sau a vatămării corporale.

- Utilizarea aparatului în orice alt scop reprezintă o utilizare incorectă. Utilizatorul este singurul răspunzător de orice utilizare incorectă a aparatului.

Instalare împământare

Acest aparat este clasificat ca **clasa de protecție I** și trebuie conectat la un sol de protecție. Împământarea reduce riscul de șoc electric prin furnizarea unui cablu de evacuare pentru curentul electric. Acest aparat este echipat cu

un cablu de alimentare care are un fir de împământare și ștecher cu împământare. Ștecherul trebuie conectat la o priză instalată și împământată corespunzător.

Instrumente

Este posibil ca utilizarea în acest cuptor cu microunde a anumitor ustensile nemetalice să nu fie sigură. Dacă aveți îndoieli, puteți verifica ustensila urmând procedura de mai jos.

Testarea ustensilelor:

Puneți în cuptorul cu microunde un recipient sigur în care ați turnat 1 cană de apă rece (aproximativ 250 ml) și în care ați pus și ustensilele respective. Dați aparatul la putere

maximă timp de 1 minut. Pipăiți ustensilele cu atenție. În cazul în care acestea se încălzesc, NU le folosiți în cuptorul cu microunde. Nu lăsați ustensilele la încălzit mai mult de 1 minut.

Ghid privind ustensilele de gătit

Regăsiți mai jos un ghid general care să vă ajute să alegeți ustensilele adecvate:

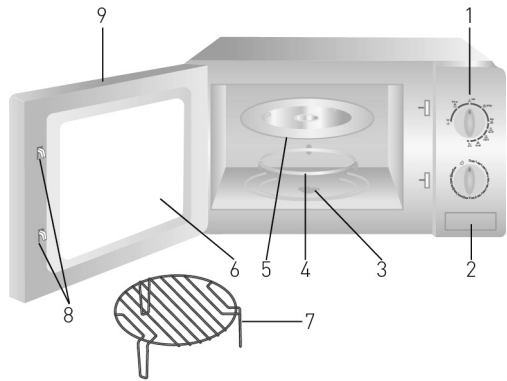
Ustensila de gătit	Cuptor cu microunde	Modul grătar	Modul combinat	Observație
Sticlă termorezistentă	✓	✓	✓	
Sticlă ne-termorezistentă	x	x	x	
Ceramică termorezistentă	✓	✓	✓	
Farfurii din plastic adecvate pentru cuptorul cu microunde	✓	x	x	Nu sunt adecvate pentru temperaturi ridicate.
Hârtie de bucătărie	✓	x	x	O durată scurtă, doar pentru încălzirea ușoară. Utilizare supravegheată.
Tavă metalică	x	✓	x	Dacă se introduce în cuptor se pot produce arcuri electrice.
Raft metalic	x	✓	x	
Folie și vase de aluminiu	x	✓	x	

✓: Adecvat pentru utilizare într-un regim corespunzător. Respectați instrucțiunile producătorului și atunci când capacul este îndepărtat. Nu folosiți aparatul dacă suprafața este fisurată sau avariată.
x: Nu este adecvat pentru utilizare în modul respectiv.



Principalele piese ale aparatului

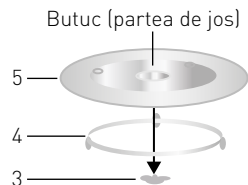
1. Panoul de comandă (Vezi Fig. 1)
2. Buton de deschidere a ușii
3. Axul mesei rotative
4. Rola mesei rotative
5. Masă rotativă din sticlă
6. Fereastră din sticlă
7. Grătarul (se utilizează doar în modul grătar)
8. Mecanismul de blocare a ușii
9. Ușă



Instalarea mesei rotative

- Nu așezați niciodată masa rotativă de sticlă (5) cu partea de jos în sus.
- În timpul gătirii trebuie folosite atât rola mesei rotative (4) cât și masa rotativă din sticlă (5).
- Toate alimentele și băuturile care trebuie preparate trebuie așezate pe masa rotativă de sticlă (5).
- Așezați rola mesei rotative (4) și masa de sticlă (5) aliniată pe verticală cu axul mesei rotative (3). Verificați ca rotirea să se facă lin.
- Curățați masa rotativă din sticlă (5) după fiecare utilizare.

- **ATENȚIE:** NU folosiți cuptorul dacă masa rotativă (5) sau rola mesei rotative (4) prezintă fisuri sau deteriorări și luați imediat legătura cu furnizorul.
- Utilizați doar rola (4) și masa rotativă din sticlă (5) livrate.



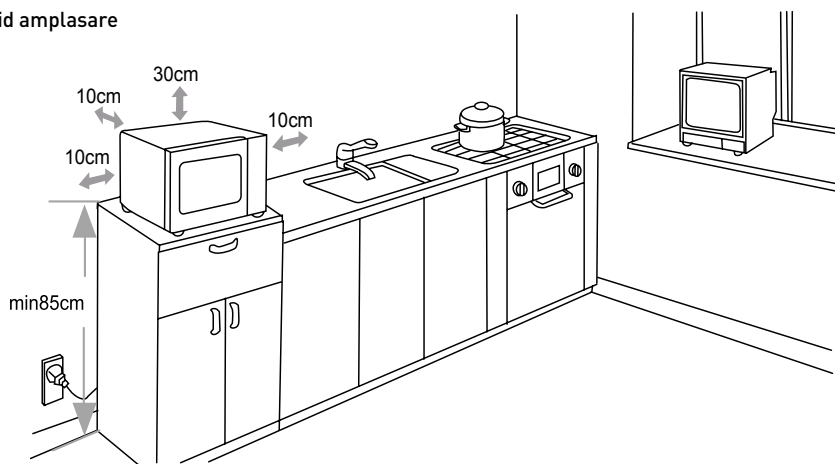
Pregătirea înainte de prima utilizare

- Desfaceți ambalajul și învelitoarea de protecție.
- Asigurați-vă că aparatul nu este defect. În cazul în care livrarea este incompletă sau dacă există avarii. Luați legătura cu furnizorul (Vezi ==> Garanția).
- Păstrați ambalajul dacă intenționați să depozitați aparatul înăuntru său pe viitor.
- Curățați aparatul înainte de utilizare (Vezi ==> Curățarea și întreținerea).
- Asigurați-vă că aparatul este complet uscat.
- Amplasați aparatul pe o suprafață orizontală, stabilă și rezistentă la căldură, care este protejată împotriva stropilor de apă.

- Nu amplasați aparatul în imediata apropiere a dispozitivelor sensibile la perturbații prin surse magnetice (de ex. aparate radio, case-tofoane).

NOTĂ: Resturile rămase din fabricație pot face ca aparatul să emită un ușor miros în timpul primelor cicluri de funcționare. Acest lucru este normal și nu este un semn de defecțiune sau de pericol. Asigurați-vă că aparatul este bine ventilat.

Ghid amplasare



Modul de utilizare

- Așezați cuptorul cu microunde pe o suprafață plană, stabilă, termorezistentă, uscată și orizontală. Lăsați suficient spațiu pentru circulația de aer:
 - deasupra cuptorului cu microunde: 30 cm
 - în partea din spate: 10 cm
 - pe ambele laturi: 10 cm
- Deschideți ușa cuptorului cu microunde (9) prin apăsarea butonului de deschidere (2).
- Montați rola mesei rotative (4) și masa rotativă din sticlă (5) în poziția corectă. În caz contrar, aceasta nu se poate roti lin. (Vezi == > Instalarea mesei rotative).
- Introduceți ștecărul într-o priză electrică adecvată.

NOTĂ:

- Nu așezați cuptorul cu microunde în locuri în care se produce căldură, umezeală sau umiditate ridicată sau în vecinătatea materialelor combustibile.
- Verificați cordonul de alimentare să fie în stare bună și să nu treacă pe sub cuptorul cu microunde sau peste componente ascuțite.
- Ștecărul trebuie să fie ușor accesibil astfel ca să poată fi scos cu ușurință în caz de urgență.
- **ATENȚIE:** Grătarul (7) se poate utiliza doar în modul grătar.
- Masa rotativă din sticlă (5) se folosește în toate modurile de funcționare: Microunde, grătar și combinate.
- Utilizați farfuria adecvată atunci când utilizați grătarul (7), care să nu vină în contact cu pereții aparatului.
- Introduceți recipientul cu alimente și închideți ușa (9).

RO



Setarea nivelului de putere și a ceasului:

- Setaiți puterea de gătire prin răsucirea butonului la nivelul de putere dorit, de la panoul de comandă (1). (Modul cuptor cu microunde, combinat sau grătar).
- Setaiți timpul de gătire (Intervalul: 0 min ~ 35 minute) prin răsucirea butonului ceasului la valoarea dorită.
- Cuptorul cu microunde va începe operația de gătire în mod automat, după ce puterea și ceasul au fost setate.
- După ce timpul setat pentru gătire s-a scurs, se va auzi un „dong”, iar operația de gătit se încheie.
- Acum puteți scoate mâncarea. Dacă este necesar, folosiți mănuși pentru cuptor (nu se livrează). Atenție la suprafața fierbinte.
- Cât timp aparatul nu este utilizat, ceasul trebuie să fie întotdeauna setat la „0”.

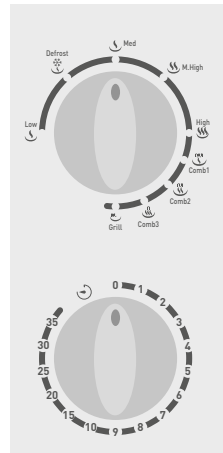


Fig. 1

Funcție	Puterea de ieșire aproximativă	Scopul utilizării
Temperatură scăzută	120W	Înmuierea înghețatei
Decongelare	230W	Încălzire supă, înmuierea untului sau dezghețare
Med	385W	Tocană, pește
M. Temperatură ridicată	540W	Orez, pește, pui, carne tocată
Temperatură ridicată	700W	Reîncălzirea laptelui, zarzavaturi, fierberea apei, băuturi

NOTĂ: În tabelul de mai sus sunt indicate nivelurile puterii de ieșire a cuptorului și nu se referă la grătar sau la consumul de putere al aparatului. Scopurile respective sunt doar informative.

Funcție	Utilizare	Scopul utilizării
Comb1	80% din timp: grătar; 20% din timp: microunde	Frigerea bifețului, cărnii tocate, chebapului, cărnaților și bucăților de pui.
Comb2	70% din timp: grătar; 30% din timp: microunde	Bucăți de pui, cotlete de porc, pește
Comb3	60% din timp: grătar; 40% din timp: microunde	Budinci, omlete, morcovi și legume coapte.
Grătar	100% din timp: grătar	Coacerea pâinii, alimente feliate

NOTĂ:

1. În tabelul de mai sus se arată funcționarea în modul combinat și grătar.
2. În momentul în care scoateți mâncarea din aparat, verificați dacă acesta este scos din priză aducând ceasul la poziția „0”. În caz contrar, aparatul poate fi avariat.
3. Cele 2 tabele de mai sus sunt doar informative. Timpul efectiv de gătire și puterea setată pot să difere în funcție de efectul de gătire dorit. Timpul de gătire și puterea pot fi setate și manual, dacă este necesar.



Sugestii pentru gătit

- Aparatul poate fi deschis în orice moment în timpul gătirii. De exemplu, poate fi necesară amestecarea alimentelor sau verificarea acestora pentru a vedea dacă s-au gătit sau nu.
- Pentru a termina procesul de gătire, ceasul trebuie adus manual la poziția „0”.
- Acum puteți scoate mâncarea. Dacă este necesar, folosiți mănuși pentru cuptor (nu se livrează). Atenție la suprafața fierbinte.
- Când timp aparatul nu este utilizat, ceasul trebuie să fie întotdeauna setat la „0”.

Curățarea și întreținerea

ATENȚIE: Scoateți întotdeauna aparatul din priză și lăsați-l să se răcească complet înainte de curățare și depozitare.

Curățare

- Nu scufundați niciodată aparatul în apă sau în alte lichide.
- Curățați suprafața exterioară răcită cu o cârpă ușor umezită sau un burete cu o soluție delicată de săpun.
- Nu folosiți niciodată bureți sau detergenți abrazivi, bureți de sârmă sau ustensile metalice pentru a curăța părțile interioare sau exterioare ale aparatului.
- Masa rotativă din sticlă (5) poate fi demontată pentru curățare. Trebuie multă atenție la curățarea mesei rotative (5) pentru a se evita deteriorările. Masa se curăță cu apă caldă cu detergent.
- Răsuciți rola (4), iar fundul incintei trebuie curățat regulat din motive de igienă și pentru a menține rotirea rolei mesei (4) fără impedimente.
- Lampa din interiorul cuptorului poate fi înlocuită. Dar schimbarea trebuie făcută de un tehnician autorizat.

Depozitarea

- Asigurați-vă întotdeauna înainte de depozitare că aparatul a fost deconectat de la sursa de alimentare și s-a răcit complet.
- Depozitați aparatul într-un loc răcoros, curat și uscat.

Depanarea

Dacă aparatul nu funcționează bine, consultați tabelul de mai jos pentru a găsi soluția. Dacă tot nu puteți rezolva problema, luați legătura cu furnizorul/agentul de service.

Probleme	Cauză posibilă	Soluție posibilă
Aparatul nu pornește.	- Ștecărul nu este bine conectat la priza electrică. - Ceasul este setat la poziția „0”. - Ușa (9) nu este bine închisă.	- Verificați ștecărul pentru a vă asigura că este conectat corect. - Ceasul trebuie setat la timpul de gătire dorit. - Verificați dacă ușa (9) este închisă și blocată.
Masa rotativă din sticlă (4) face zgomot în timpul funcționării.	- Masa rotativă de sticlă (5) nu este instalată corect. - Fundul incintei nu este plan din cauza resturilor de mâncare rămase.	- Verificați dacă masa rotativă de sticlă (5) este instalată corect. - Curățați fundul incintei pentru a vă asigura că este plan.



Specificația tehnică

Articol nr.	281710
Tensiune și frecvență	230V~ 50Hz
Frecvența cuptorului cu microunde	2450 MHz
Puterea nominală de intrare (pentru microunde)	1050 W
Puterea nominală de ieșire (pentru microunde)	700 W
Puterea nominală de intrare (pentru grătar)	1000 W
Capacitatea cuptorului	20 litri
Setarea ceasului	0 min ~ 35 min
Clasa de protecție	Clasa I
Dimensiune	440 x 330 x (H) 259 mm

OBSERVAȚIE: Specificația tehnică poate fi modificată fără preaviz.

Garanție

Orice defecțiune care afectează funcționarea aparatului apărută la mai puțin de un an de la cumpărarea acestuia va fi remediată prin reparație sau înlocuire gratuită, cu condiția ca aparatul să fi fost folosit și întreținut conform instrucțiunilor nu să nu fi fost bruscat sau folosit necorespunzător în vreun fel. Drepturile dumneavoastră legale nu sunt afectate. Dacă

aparatul este în garanție, menționați când și de unde a fost cumpărat și includeți dovada cumpărării (de ex. chitanța).

Conform politicii noastre de dezvoltare continuă a produsului, ne rezervăm dreptul de a modifica produsul, ambalajul și documentația fără notificare.


Eliminarea și mediul înconjurător

La dezafectarea aparatului, produsul nu trebuie aruncat împreună cu alte deșeuri menajere. În schimb, este responsabilitatea dumneavoastră să eliminați echipamentul uzat prin predarea acestuia la un punct de colectare desemnat. Nerespectarea acestei reguli poate fi penalizată în conformitate cu reglementările aplicabile privind eliminarea deșeurilor. Colectarea separată și reciclarea echipamentului dumneavoastră uzat la momentul debarasării contribuie la conservarea resurselor naturale și asigură realizarea reciclării într-un mod care protejează sănătatea ființelor umane și a mediului.

Pentru informații suplimentare privind modul în care puteți preda deșeurile dumneavoastră în scopul reciclării, vă rugăm să contactați compania locală de colectare a deșeurilor. Producătorii și importatorii nu își asumă responsabilitatea cu privire la reciclarea, tratarea și eliminarea ecologică a deșeurilor, fie direct, fie prin intermediul unui sistem public.

Благодарим Вас за покупку этого устройства HENDI. Внимательно прочитайте это руководство, обращая особое внимание на правила безопасности, изложенные ниже, перед установкой и использованием этого устройства в первый раз.

Правила безопасности

- Это оборудование предназначено для буфета и домашнего использования.
- Используйте прибор только по назначению, для которого он был разработан, как описано в данном руководстве.
- Изготовитель не несет ответственности за любой ущерб, вызванный неправильной работой и неправильным использованием.
- Держите прибор и электрическую вилку подальше от воды и других жидкостей. В случае, если прибор попадает в воду, немедленно снимите вилку питания с розетки. Не используйте устройство до тех пор, пока оно не будет проверено сертифицированным техническим специалистом. Несоблюдение этих инструкций приведет к угрожающей жизни опасности.
- Никогда не пытайтесь открыть корпус прибора самостоятельно.
- Не вставляйте объекты в корпус прибора.
- Не прикасайтесь к вилке мокрыми или влажными руками.
-  **ОПАСНОСТЬ ПОРАЖЕНИЯ ЭЛЕКТРИЧЕСКИМ ТОКОМ!** Не пытайтесь самостоятельно отремонтировать прибор, ремонт должен проводиться только квалифицированный персонал.
- **Никогда не используйте поврежденный прибор!** Когда устройство повреждено, отсоедините устройство от розетки и обратитесь к продавцу.
- **ПРЕДУПРЕЖДЕНИЕ!** Не погружайте электрические части прибора в воду или другие жидкости.
- Никогда не удерживайте прибор под проточной водой.
- Регулярно проверяйте штекер питания и шнур на наличие повреждений. В случае повреждения его необходимо заменить сервисным агентом или лицом, имеющим аналогичную квалификацию, с тем чтобы избежать опасности или травм.
- Убедитесь, что шнур не соприкасается с острыми или горячими предметами и держите его подальше от открытого огня. Никогда не тяните шнур питания, чтобы отсоединить его от розетки, всегда тяните вилку вместо нее.
- Убедитесь, что шнур питания и/или удлинитель не вызывают опасности аварии.
- Никогда не оставляйте прибор без присмотра во время использования.
- **ПРЕДУПРЕЖДЕНИЕ!** Пока штекер находится в розетке, прибор подключается к источнику питания.
- Выключите устройство, прежде чем отсоединить его от розетки.
- Подключите вилку питания к легкодоступной электрической розетке, чтобы в случае аварийной ситуации устройство можно было немедленно отключить.



- Никогда не носите прибор за шнур.
- Не используйте дополнительные устройства, которые не поставляются вместе с устройством.
- Подключите прибор только к электрической розетке с напряжением и частотой, указанными на этикетке устройства.
- Никогда не используйте аксессуары, кроме тех, которые рекомендованы производителем. Невыполнение этого требования может представлять опасность для безопасности пользователя и привести к повреждению устройства. Используйте только оригинальные детали и аксессуары.
- Этот прибор не должен эксплуатироваться лицами с ограниченными физическими, сенсорными или умственными возможностями, или лицами, не имеющими опыта и знаний.
- Этот прибор ни при каких обстоятельствах не должен использоваться детьми.
- Держите устройство и его шнур питания в недоступном для детей месте.
- **ПРЕДУПРЕЖДЕНИЕ: ВСЕГДА** выключите устройство и отключите розетку от розетки перед очисткой, обслуживанием или хранением.

Специальные правила безопасности

- Это устройство предназначено исключительно для разогревания, размораживания, приготовления пищи и напитков, приготовления пищи на гриле. Сушка пищевых продуктов или одежды, а также подогревание подушек, тапочек, губок, влажных салфеток и т.п. может привести к травме или пожару.
- Используйте это устройство только в соответствии с настоящим руководством.
- Данное устройство предназначено для использования в домашних хозяйствах и в следующих местах:
 - в кухни для сотрудников в магазинах, офисах и других рабочих местах;
 - в сельском хозяйстве;
 - в кухни, предназначенной для гостей в отелях, мотелях и других жилых помещениях;
 - в гостиницах типа „bed and breakfast“.



ВНИМАНИЕ! Горячая поверхность! Во время работы устройства дверца и другие доступные поверхности нагреваются до очень высоких температур. Прикасайтесь только к панели управления.

- Не включайте устройство перед тем, как поместите пищу во внутрь печи, так как это может привести к его повреждению.
- Для приготовления пищи в устройстве используйте только посуду, подходящую для микроволновых печей. Не используйте посуду или столовые приборы, изготовленные из металла или содержащие его, алюминиевую фольгу, свинцовое стекло (хрусталь), пластмассу, не стойкую к высоким температурам, металлические или деревянные крепежные детали или проволочные стяжки. Не используйте миски с металлическим краем или пластиковые миски с

- приоткрытой крышкой. Опасность пожара.
- Из-за риска воспламенения, следите за процессом подогревания пищи, упакованной в пластиковые или бумажные контейнеры.
 - Если вы заметите дым, выключите устройство или выньте вилку из розетки и не открывайте дверцу. Это позволит быстрее погасить огонь.
 - Не включайте микроволновую печь, если в нее не помещены пищевые продукты. Это очень опасно.
 - Не используйте микроволновую печь, если открыта дверца, так как это может привести к воздействию излучения микроволновой печи. Не снимайте предохранители и не манипулируйте ними.
 - Не подогревайте в микроволновой печи яиц в скорлупе или вареных яиц, т.к. они могут взорваться, даже если процесс подогрева уже завершен.
 - **ПРЕДУПРЕЖДЕНИЕ:** Если повреждены дверца или уплотнения дверцы, не используйте микроволновую печь до тех пор, пока её не отремонтирует специалист авторизованного сервиса.
 - **ПРЕДУПРЕЖДЕНИЕ:** Опасно выполнять любые ремонтные работы, состоящие в снятии крышки, защищающей от воздействия микроволнового излучения лицами, не являющимися работниками авторизованного сервиса.
 - **ПРЕДУПРЕЖДЕНИЕ:** Не нагревайте в микроволновой печи жидкость или другие пищевые продукты в закрытых контейнерах, бутылках и т.п. из-за риска взрыва контейнера, бутылки и т.п.
 - **ПРЕДУПРЕЖДЕНИЕ:** Во избежание получения ожогов, содержимое бутылок или банок детского питания встряхните или перемешайте перед едой и проверьте температуру напитка или пищи.
 - **ПРЕДУПРЕЖДЕНИЕ:** Нагревание напитков в микроволновой печи может привести к задержке сильного кипения. Будьте осторожны при перенесении контейнера.
 - Устройство не следует встраивать в шкаф. Не закрывайте вентиляционные отверстия устройства. Информацию о количестве пространства вокруг устройства, которое следует оставить для правильного воздушного потока, смотрите в разделе „Перед использованием”.
 - Посуда может нагреваться при контакте с горячей пищей. Чтобы вынуть пищу из устройства, используйте кухонные перчатки (не входят в комплект).
 - Регулярно очищайте устройство и удаляйте остатки пищи из камеры печи.
 - Если не держать печь в чистоте, это может привести к ухудшению состояния поверхности, что в свою очередь может негативно сказаться на сроке службы устройства и привести к опасной ситуации.
 - Не используйте микроволновую печь в качестве места для хранения. В микроволновой печи не храните такие продукты, как хлеб, печенье и т.п.
 - Устройство не предназначено для использования с внешним таймером или отдельной системой дистанционного управления.



- Будьте осторожны при помещении пищи в печь, чтобы не повредить вращающейся тарелки.
- **ВНИМАНИЕ!** Правильно направьте и закрепите шнур питания, чтобы предотвратить случайное вытягивание или контакт с нагретой поверхностью.
- Не чистите устройство водой. Мойка устройства может привести к попаданию воды в электрические детали и привести к поражению электрическим током.
- Не чистите или не размещайте устройство в месте хранения до его полного охлаждения.
- Части устройства не следует мыть в посудомоечной машине

Предполагаемое использование

- Это оборудование предназначено для бытового и домашнего использования.
- Микроволновая печь предназначена для обогрева и размораживания еды при использовании подходящей посуды. Любое другое использование может привести к повреждению микроволновой печи или травме.
- Использование устройства для любых других целей будет рассматриваться, как использование не по назначению. Пользователь будет нести исключительную ответственность за неправильное использование устройства.

Установка заземления

Этот прибор относится к **классу защиты I** и должен быть подключен к защитному grounding. Заземление снижает риск поражения электрическим током, обеспечивая выход провода для электрического тока. Этот при-

бор оснащен шнуром питания с заземляющим проводом и заземленной штепсельной вилкой. Вилка должна быть подключена к розетке, которая правильно установлена и заземлена.

Посуда

Использование в микроволновой печи некоторой неметаллической посуды может быть опасно. В случае сомнений относительно того, можно ли использовать данную посуду в микроволновой печи, вы можете выполнить тест в соответствии со следующей инструкцией:

Испытание посуды:

Заполните контейнер, который вы хотите протестировать в микроволновой печи, 1 стаканом (250 мл) холодной воды и вложите данную посуду в камеру печи. Подогревайте в течение 1 минуты, используя максимальную мощность.

Осторожно прикоснитесь к испытательной посуде. Если посуда теплая, она НЕ подходит для использования в микроволновой печи. Не нагревайте посуду более 1 минуты.

Список кухонной посуды

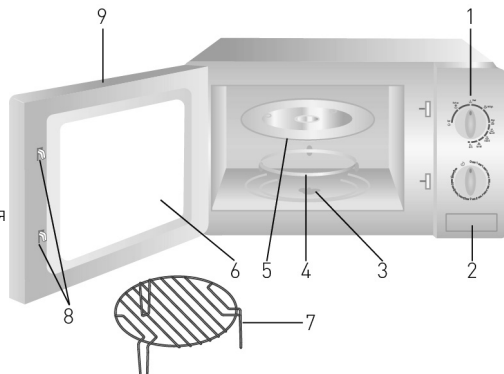
Следующий список поможет вам выбрать правильную кухонную посуду:

Кухонная посуда	Стандартный режим	Режим гриля	Комбинированный режим	Замечания
Стекло, устойчивое к высоким температурам	√	√	√	
Стекло, не устойчивое к высоким температурам	x	x	x	
Керамика устойчивая к высоким температурам	√	√	√	
Пластиковая посуда, пригодная для использования в микроволновых печах	√	x	x	Не подходит для использования при высоких температурах
Бумажные полотенца	√	x	x	Только короткий подогрев под наблюдением пользователя.
Металлические поддоны	x	√	x	Во время работы появляются искры.
Металлическая подставка	x	√	x	
Алюминиевая фольга и алюминиевые контейнеры	x	√	x	

√: Допустимое использование в заданном режиме. Используйте только в соответствии с инструкцией производителя; не забудьте снять крышку, если данная посуда её имеет. Если поверхность посуды треснула или повреждена, не кладите ее в печь.
x: Не подходит для использования в заданном режиме.

Основные части устройства

1. Панель управления (Смотри Рис. 1)
2. Кнопка открытия дверцы
3. Вал вращающейся тарелки
4. Поворотное кольцо
5. Стекло вращающаяся тарелка
6. Стеклоанное окно
7. Подставка для гриля (для использования только в режиме гриля)
8. Механизм закрытия дверцы
9. Дверца



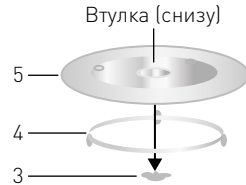
RU



Монтаж вращающейся тарелки

- Никогда не располагайте вращающуюся тарелку (5) вверх дном.
- Во время работы устройства в печи должны находиться поворотное кольцо (4) и тарелка (5).
- Поместите продукты и напитки на стеклянную вращающуюся тарелку (5).
- Поместите поворотное кольцо (4) и вращающуюся тарелку (5) перпендикулярно по отношению к валу вращающейся тарелки (3). Убедитесь, что кольцо и тарелка плавно вращаются.
- Вымойте вращательную тарелку (5) после каждого использования.

- **ПРИМЕЧАНИЕ:** НЕ используйте микроволновую печь, если вращающаяся тарелка (5) или поворотное кольцо (4) треснули или будут повреждены иным образом - в этом случае немедленно свяжитесь с поставщиком.
- Используйте только поворотное кольцо (4) и стеклянную вращающуюся тарелку (5), поставляемые с устройством.



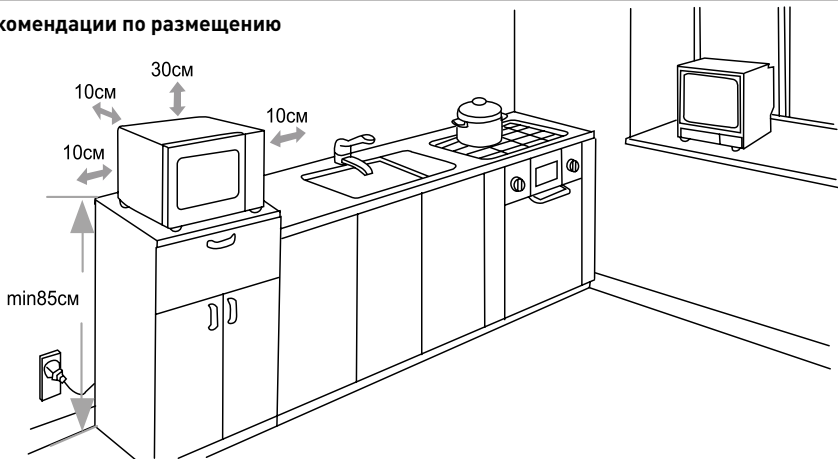
Перед первым использованием

- Снимите и удалите упаковку и защиты.
- Убедитесь, что устройство не повреждено. В случае неполной поставки или повреждения свяжитесь с поставщиком (смотри ==> Гарантия).
- Сохраните упаковку, если намереваетесь хранить прибор в будущем.
- Очистите устройство (смотри ==> Очистка и техническое обслуживание).
- Убедитесь, что устройство полностью сухое.
- Поместите устройство на горизонтальной, стабильной поверхности, устойчивой к воздействию высоких температур и брызг жидкостей.

- Не размещайте устройство вблизи объектов, которые чувствительны к помехам, вызванным магнитным излучением (например, радиоприемники, кассетные магнитофоны).

ЗАМЕЧАНИЕ: Из-за остатка от производственного процесса, в течение первых нескольких запусков из устройства может выходить неприятный запах. Это нормальное явление и не указывает на повреждение устройства или опасность для пользователя. Убедитесь, что устройство хорошо вентилируется.

Рекомендации по размещению



Обслуживание

- Поместите микроволновую печь на ровную, устойчивую, сухую и горизонтальную поверхность, устойчивую к высоким температурам. Для обеспечения необходимого потока воздуха, оставьте свободное пространство вокруг устройства в соответствии со следующей инструкцией:
 - над печью: 30 см
 - за печью: 10 см
 - по бокам печи: 10 см
- Откройте дверцу микроволновой печи (9), нажав кнопку открытия дверцы (2).
- Поместите поворотное кольцо (4) и вращающуюся тарелку (5) в правильное положение. Размещение вышеуказанных частей в неправильном положении приведет к блокировке вращающейся тарелки (5). (См. ориентир => Монтаж вращающейся тарелки).
- Подключите вилку к подходящей розетке.

ПРИМЕЧАНИЕ:

- Не размещайте микроволновую печь в местах, где выделяется тепло или очень влажно, а также вблизи легковоспламеняющихся материалов.
- Убедитесь, что шнур питания не поврежден, не находится под плитой или над острыми, или горячими поверхностями.
- Шнур питания должен быть подключен к электрической розетке, к которой не затруднен доступ, так чтобы в случае неисправности устройство можно было немедленно отключить его от источника питания.
- **ПРИМЕЧАНИЕ:** Подставка для гриля (7) может использоваться только в режиме гриля.
- Вращающаяся тарелка (5) должна использоваться в каждом режиме: стандартном режиме, режиме гриля и комбинированном режиме.
- При использовании подставки для гриля (7), используйте подходящую посуду, чтобы она не касалась стенок устройства.
- Поместите пищу в соответствующую емкость и закройте дверцу (9).

RU

Установка уровней мощности и таймера:

- Установите мощность устройства, повернув ручку на панели управления (1) на выбранную мощность. [Стандартный режим, режим гриля и комбинированный].
- Установите время работы (диапазон: 0 мин ~ 35 мин), поворачивая ручку времени на выбранное значение.
- Печь автоматически начнет работать после установки мощности и времени.
- Через определенный промежуток времени раздастся звуковой сигнал, и устройство перестанет работать.
- Пищу можно вынуть из печи. При необходимости используйте кухонные перчатки (не входят в комплект). Обращайте внимание на горячую поверхность устройства.
- Если устройство не используется, установите таймер на значение „0“.

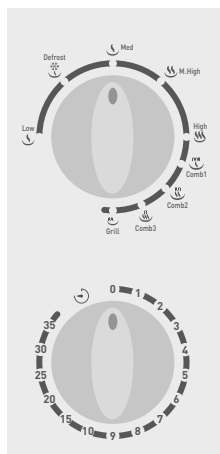


Рис. 1



Функция	Расчетная выходная мощность	Использование
Низкая мощность	120 Вт	Легкое размораживание мороженого
Размораживание	230 Вт	Подогревание супа, смягчение масла или размораживание
Средняя мощность	385 Вт	Приготовление гуляша, рыбы
Средневысокая мощность	540 Вт	Приготовление риса, рыбы, курицы, мясного фарша
Высокая мощность	700 Вт	Подогревание молока, овощей, кипячение воды, подогревание других напитков

ПРИМЕЧАНИЕ: В приведенной выше таблице указаны только уровни выходной мощности микроволновой печи, а не уровень мощности гриля или потребляемой мощности устройства. Вышеуказанные данные предназначены исключительно для информации.

Функция	Программа	Использование
Комбинированный режим 1	80% времени: режим гриля; 20% времени: стандартный режим;	Приготовление на гриле стейков, мясного фарша, люля кебабов, колбасы и кусочков курицы.
Комбинированный режим 2	70% времени: режим гриля; 30% времени: стандартный режим;	Куриные части, свиная отбивная, рыба
Комбинированный режим 3	60% времени: режим гриля; 40% времени: стандартный режим;	Пудинги, омлеты, печёная морковь и другие овощи
Режим гриля	100% времени: режим гриля;	Запеченный хлеб, нарезанные блюда

ПРИМЕЧАНИЕ:

1. В приведенной выше таблице показана программа соединения стандартного режима и режима гриля.
2. Прежде чем вынуть пищу из печи, убедитесь, что устройство выключено (таймер установлен на значение „0“). В противном случае устройство может быть повреждено во время вынимания пищи.
3. Вышеуказанные таблицы имеют исключительно информационный характер. Фактическое время приготовления пищи и установка мощности зависят от желаемого эффекта приготовления пищи в печи. При необходимости измените время приготовления пищи и установку мощности вручную.

Советы по приготовлению пищи в микроволновой печи

- При необходимости устройство может быть открыто в любое время во время его работы, чтобы, например, перевернуть или перемешать пищу, или проверить ее состояние.
- Чтобы завершить процесс приготовления пищи, установите переключатель времени в положение «0».
- Пищу можно вынуть из печи. При необходимости используйте кухонные перчатки (не входят в комплект). Обращайте внимание на горячую поверхность устройства.
- Если устройство не используется, установите таймер на значение „0“.

RU



Очистка и техническое обслуживание

ЗАМЕЧАНИЕ: Перед очисткой и размещением устройства на хранение, всегда отключайте устройство от электросети и подождите, пока плита остынет.

Очистка

- Никогда не погружайте устройство в воду или другую жидкость.
- После охлаждения наружной поверхности очищайте её влажной тканью или губкой с небольшим количеством раствора мягкого моющего средства.
- Для очистки внутренней поверхности и наружных частей устройства, никогда не используйте абразивные губки или абразивные моющие средства, а также губки с металлической мочалкой или металлический инструмент.
- Вращающуюся тарелку (5) можно вынуть для очистки. Будьте особенно внимательны при чистке вращающейся тарелки (5), чтобы избежать её повреждения. Вымойте тарелку теплой мыльной водой.
- Регулярно очищайте поворотное кольцо (4) и дно камеры печи по гигиеническим соображениям и для обеспечения правильного поворота кольца (4).
- Лампочку внутри камеры печи можно заменить, однако это должен сделать квалифицированный специалист по техническому обслуживанию.

Хранение

- Перед помещением на хранение, убедитесь, что устройство отключено от сети и полностью остыло.
- Храните устройство в холодном, чистом и сухом месте.

Диагностика

Если устройство не работает должным образом, обратитесь к приведенной ниже таблице, чтобы найти правильное решение. Если вы все еще не можете решить проблему, обратитесь к поставщику.

Проблема	Возможная причина	Возможное решение
Устройство не включается.	<ul style="list-style-type: none">- Вилка неправильно подключена к сетевой розетке.- Таймер установлен на значение „0“.- Дверца печи (9) не закрыта должным образом.	<ul style="list-style-type: none">- Убедитесь, что вилка правильно подключена к электрической розетке.- Установите ручку таймера на нужное значение.- Убедитесь, что дверца (9) правильно закрыта.
Во время работы устройства стеклянная вращающаяся тарелка (5) издаёт громкие звуки.	<ul style="list-style-type: none">- Стеклянная вращающаяся тарелка (5) неправильно установлена.- На дне печи имеются остатки пищи, поэтому поверхность не плоская.	<ul style="list-style-type: none">- Убедитесь, что стеклянная вращающаяся тарелка (5) правильно установлена.- Очистите дно камеры печи от всех остатков, которые препятствуют движению тарелки.



Технические характеристики

Номер продукта	281710
Рабочее напряжение и частота	230В~ 50Гц
Частота микроволн	2450 МГц
Номинальная потребляемая мощность (стандартный режим)	1050 Вт
Номинальная выходная мощность (стандартный режим)	700 Вт
Номинальная потребляемая мощность (режим гриля)	1000 Вт
Ёмкость камеры печи	20 литров
Диапазон установки времени таймера	0 мин ~ 35 мин
Степень защиты	I Класс
Размеры	440 x 330 x (H) 259 mm

ВНИМАНИЕ: Технические характеристики могут быть изменены без предварительного уведомления.

Гарантия

Любая неполадка или поломка, которая влечет за собой неправильную работу устройства, которая будет выявлена в течение первого года от даты покупки, будет устранена бесплатно, или же все устройство будет заменено новым, если оно эксплуатировалось и обслуживалось согласно инструкции по обслуживанию и не использовалось неправильно, или в разрез с назначением. Данное положение ни в коей мере не нарушает иных прав потребителя, изложенных в законодательстве. В случае заявления устройства

в ремонт или на замену в рамках гарантии, следует указать место и дату покупки устройства и приложить счет, или чековую квитанцию.

Согласно нашей политике совершенствования наших продуктов оставляем за собой право на ввод изменений в конструкцию, упаковку и в технические параметры, указываемые в технической документации без предупреждения.

Утилизация и защита окружающей среды


В случае вывода оборудования из эксплуатации, продукт нельзя утилизировать вместе с другими бытовыми отходами. Пользователь несет ответственность за передачу оборудования в соответствующий пункт приёма техники бывшей в употреблении. Несоблюдение вышеуказанного положения может привести к наложению штрафов в соответствии с действующими правилами в отношении утилизации отходов. Селективный сбор и утилизация использованного оборудования способствуют сохранению природных

ресурсов и обеспечивают рециркуляцию таким образом, который не вреден для здоровья и окружающей среды. Для получения дополнительной информации о том, где можно отдать использованное оборудование для утилизации, обратитесь в местную компанию по сбору отходов. Производитель и импортер не несут ответственности за рециркуляцию и переработку отходов экологически безопасным способом, как непосредственно, так и в рамках государственной системы.

Αγαπητέ πελάτη,

Σας ευχαριστούμε για την αγορά αυτής της συσκευής **Hendi**. Διαβάστε προσεκτικά αυτό το εγχειρίδιο, δίνοντας ιδιαίτερη προσοχή στους κανονισμούς ασφαλείας που περιγράφονται παρακάτω, πριν εγκαταστήσετε και χρησιμοποιήσετε αυτή τη συσκευή για πρώτη φορά.

Κανονισμοί ασφαλείας

- Η συσκευή ενδείκνυται για χρήση σε μπουφέ και οικιακή χρήση.
- Χρησιμοποιείτε μόνο τη συσκευή για τον επιδιωκόμενο σκοπό για τον οποίο σχεδιάστηκε όπως περιγράφεται στο παρόν εγχειρίδιο.
- Ο κατασκευαστής δεν ευθύνεται για τυχόν ζημιές που προκαλούνται από λανθασμένη λειτουργία και ακατάλληλη χρήση.
- Κρατήστε τη συσκευή και το ηλεκτρικό βύσμα μακριά από νερό και άλλα υγρά. Σε περίπτωση που η συσκευή πέσει στο νερό, αφαιρέστε αμέσως το βύσμα τροφοδοσίας από την πρίζα. Μην χρησιμοποιείτε τη συσκευή μέχρι να ελεγχθεί από πιστοποιημένο τεχνικό. Η μη τήρηση αυτών των οδηγιών θα προκαλέσει απειλητικούς κινδύνους για τη ζωή.
- Ποτέ μην επιχειρήσετε να ανοίξετε μόνοι σας το περίβλημα της συσκευής.
- Μην εισάγετε αντικείμενα στο περίβλημα της συσκευής.
- Μην αγγίζετε το βύσμα με βρεγμένα ή υγρά χέρια.
-  **ΚΙΝΔΥΝΟΣ ΗΛΕΚΤΡΟΠΛΗΞΙΑΣ!** Μην επιχειρήσετε να επισκευάσετε τη συσκευή μόνοι σας, οι επισκευές πρέπει να πραγματοποιούνται μόνο από εξειδικευμένο προσωπικό.
- **Ποτέ μην χρησιμοποιείτε μια κατεστραμμένη συσκευή!** Όταν είναι κατεστραμμένο, αποσυνδέστε τη συσκευή από την πρίζα και επικοινωνήστε με το κατάστημα λιανικής πώλησης.
- **ΠΡΟΕΙΔΟΠΟΙΗΣΗ!** Μην βυθίζετε τα ηλεκτρικά μέρη της συσκευής σε νερό ή άλλα υγρά.
- Ποτέ μην κρατάτε τη συσκευή κάτω από τρεχούμενο νερό.
- Ελέγχετε τακτικά το βύσμα τροφοδοσίας και το καλώδιο για τυχόν ζημιές. Σε περίπτωση βλάβης, πρέπει να αντικατασταθεί από αντιπρόσωπο εξυπηρέτησης ή με παρόμοια προσόντα, ώστε να αποφεύγεται ο κίνδυνος ή ο τραυματισμός.
- Βεβαιωθείτε ότι το καλώδιο δεν έρχεται σε επαφή με αιχμηρά ή ζεστά αντικείμενα και κρατήστε το μακριά από ανοιχτή φωτιά. Μην τραβάτε ποτέ το καλώδιο τροφοδοσίας για να το αποσυνδέσετε από την πρίζα, πάντα τραβάτε το βύσμα.
- Βεβαιωθείτε ότι το καλώδιο τροφοδοσίας ή/και το καλώδιο προέκτασης δεν προκαλούν κίνδυνο διαφυγής.
- Μην αφήνετε ποτέ τη συσκευή αφύλακτη κατά τη χρήση.
- **ΠΡΟΕΙΔΟΠΟΙΗΣΗ!** Όσο το βύσμα βρίσκεται στην πρίζα, η συσκευή είναι συνδεδεμένη με την πηγή τροφοδοσίας.
- Απενεργοποιήστε τη συσκευή πριν την αποσυνδέσετε από την πρίζα.
- Συνδέστε το βύσμα ρεύματος σε μια εύκολα προσβάσιμη πρίζα, ώστε σε περίπτωση ανάγκης να αποσυνδεθεί αμέσως η συσκευή.

GR



- Ποτέ μην μεταφέρετε τη συσκευή από το καλώδιο.
- Μην χρησιμοποιείτε επιπλέον συσκευές που δεν παρέχονται μαζί με τη συσκευή.
- Συνδέστε τη συσκευή μόνο σε πρίζα με την τάση και τη συχνότητα που αναφέρονται στην ετικέτα της συσκευής.
- Ποτέ μην χρησιμοποιείτε εξαρτήματα εκτός από αυτά που συνιστώνται από τον κατασκευαστή. Εάν δεν γίνει κάτι τέτοιο, θα μπορούσε να αποτελέσει κίνδυνο για την ασφάλεια του χρήστη και θα μπορούσε να προκαλέσει βλάβη στη συσκευή. Χρησιμοποιείτε μόνο αυθεντικά εξαρτήματα και αξεσουάρ.
- Η συσκευή αυτή δεν πρέπει να λειτουργεί από άτομα με μειωμένες σωματικές, αισθητηριακές ή διανοητικές ικανότητες ή άτομα με έλλειψη εμπειρίας και γνώσης.
- Αυτή η συσκευή δεν πρέπει, σε καμία περίπτωση, να χρησιμοποιείται από παιδιά.
- Κρατήστε τη συσκευή και το καλώδιο τροφοδοσίας μακριά από παιδιά.
- **ΠΡΟΕΙΔΟΠΟΙΗΣΗ:** Πάντα απενεργοποιείτε τη συσκευή και αποσυνδέστε την πρίζα πριν από τον καθαρισμό, τη συντήρηση ή την αποθήκευση.

Ειδικοί Κανονισμοί Ασφαλείας

- Η συσκευή παρέχεται για ζέσταμα, απόψυξη, ψήσιμο και παρασκευή τροφίμων ή ροφημάτων. Η ξήρανση τροφίμων ή το στέγνωμα ενδυμάτων και το ζέσταμα μαξιλαριών, παντοφλών, σφουγγαριών, βρεγμένων πανιών και άλλων παρόμοιων αντικειμένων μπορεί να οδηγήσει σε κίνδυνο τραυματισμού και ανάφλεξης.
- Χρησιμοποιείτε τη συσκευή μόνο όπως περιγράφεται στο παρόν εγχειρίδιο.
- Αυτή η συσκευή προορίζεται για οικιακή χρήση και παρόμοιες εφαρμογές, όπως
 - χώροι κουζίνας προσωπικού σε καταστήματα, γραφεία και άλλα εργασιακά περιβάλλοντα,
 - αγροικίες,
 - από πελάτες σε ξενοδοχεία, μοτέλ και άλλα περιβάλλοντα στέγασης,
 - περιβάλλοντα πανδοχείων.



ΠΡΟΣΟΧΗ!! Καυτή επιφάνεια! Η θερμοκρασία της πόρτας και κάθε προσβάσιμης επιφάνειας είναι πολύ υψηλή κατά τη χρήση. Να αγγίζετε μόνο τον πίνακα ελέγχου.

- Μην χρησιμοποιείτε τη συσκευή χωρίς να έχετε τοποθετήσει φαγητό μέσα στον φούρνο καθώς μπορεί να προκληθεί βλάβη στη συσκευή.
- Χρησιμοποιείτε μόνο σκεύη που είναι κατάλληλα για χρήση σε φούρνο μικροκυμάτων. Μην χρησιμοποιείτε δοχεία ή μαχαιροπίρουνα που είναι κατασκευασμένα από ή περιέχουν μέταλλο, αλουμίνιο, κρυστάλλινα γυάλινα σκεύη με μόλυβδο, πλαστικά ευαίσθητα στις υψηλές θερμοκρασίες, ξύλινα ή μεταλλικά κλιπ ή συρμάτινα δεσίματα. Μην χρησιμοποιείτε μπολ με στρογγυλεμένα άκρα ή πλαστικά δοχεία με εν μέρει αφαιρεμένο το καπάκι. Κίνδυνος πυρκαγιάς.
- Κατά το ζέσταμα φαγητού σε πλαστικά ή χάρτινα σκεύη, παρακολουθείτε το φούρνο καθώς υπάρχει πιθανότητα ανάφλεξης.

- Εάν εξέρχεται καπνός, απενεργοποιήστε ή αποσυνδέστε τη συσκευή από το ρεύμα και κρατήστε την πόρτα κλειστή για να καταστείτε τυχόν φλόγες.
- Μην χρησιμοποιείτε ποτέ αυτή τη συσκευή χωρίς να έχετε τοποθετήσει φαγητό μέσα στον φούρνο καθώς αυτό είναι πολύ επικίνδυνο.
- Μην επιχειρήσετε να χρησιμοποιήσετε τον φούρνο μικροκυμάτων με την πόρτα ανοικτή καθώς αυτό μπορεί να οδηγήσει σε επιβλαβή έκθεση σε μικροκυματική ενέργεια. Μην σπάτε ή παρακάμψετε τις συνδέσεις ασφαλείας.
- Αυγά με το κέλυφός τους και ολόκληρα βραστά αυγά δεν πρέπει να ζεσταίνονται στον φούρνο μικροκυμάτων καθώς ενδέχεται να εκραγούν, ακόμα και μετά το ζέσταμα.
- **ΠΡΟΕΙΔΟΠΟΙΗΣΗ:** Εάν η πόρτα ή τα σφραγίσματα της πόρτας έχουν υποστεί ζημιά, η συσκευή δεν πρέπει να λειτουργήσει μέχρι να επισκευαστεί από πιστοποιημένο τεχνικό.
- **ΠΡΟΕΙΔΟΠΟΙΗΣΗ:** Είναι επικίνδυνο για οποιοδήποτε άτομο πέραν του πιστοποιημένου τεχνικού να πραγματοποιήσει οποιαδήποτε εργασία συντήρησης ή επισκευής που περιλαμβάνει την αφαίρεση του καλύμματος που παρέχει προστασία από την έκθεση σε μικροκυματική ενέργεια.
- **ΠΡΟΕΙΔΟΠΟΙΗΣΗ:** Υγρά και άλλα τρόφιμα δεν πρέπει να θερμαίνονται σε σφραγισμένα σκεύη καθώς ενδέχεται να εκραγούν.
- **ΠΡΟΕΙΔΟΠΟΙΗΣΗ:** Το περιεχόμενο στα μπιμπερό και τα βάζα βρεφικής τροφής πρέπει να ανακινείται και να ελέγχεται η θερμοκρασία πριν από τη χρήση για να αποφύγετε τυχόν εγκαύματα.
- **ΠΡΟΕΙΔΟΠΟΙΗΣΗ:** Το ζέσταμα ροφημάτων μπορεί να οδηγήσει σε καθυστερημένο απότομο βρασμό και γι' αυτό πρέπει να χειρίζεστε με προσοχή το σκεύος.
- Η συσκευή πρέπει να χρησιμοποιείται αυτόνομα, χωρίς στήριγμα. Μην καλύπτετε τις οπές εξαερισμού. Πληροφορίες σχετικά με τον χώρο (επάνω/πίσω/πλάι) που απαιτείται για την επαρκή κυκλοφορία του αέρα μπορείτε να βρείτε στην ενότητα «Πριν από τη χρήση».
- Τα πιάτα μπορεί να θερμανθούν λόγω του θερμαινόμενου φαγητού. Χρησιμοποιείτε γάντια φούρνου (δεν περιλαμβάνονται) για να αφαιρείτε τα τρόφιμα από τη συσκευή.
- Ο φούρνος μικροκυμάτων πρέπει να καθαρίζεται τακτικά και να αφαιρούνται τυχόν υπολείμματα τροφίμων.
- Εάν η συσκευή δεν διατηρείται καθαρή, θα προκληθεί φθορά της επιφάνειας, η οποία μπορεί να επηρεάσει δυσμενώς τη διάρκεια ζωής της συσκευής και να επιφέρει επικίνδυνη κατάσταση.
- Μην χρησιμοποιείτε τον φούρνο ως χώρο αποθήκευσης. Μην αποθηκεύετε τρόφιμα, όπως ψωμί, μπισκότα κλπ., μέσα στον φούρνο.
- Ο φούρνος μικροκυμάτων δεν προορίζεται για λειτουργία μέσω εξωτερικού χρονοδιακόπτη ή ξεχωριστού συστήματος τηλεχειρισμού.
- Τοποθετείτε προσεκτικά το φαγητό μέσα στον φούρνο μικροκυμάτων για να αποφύγετε τυχόν ζημιά του γυάλινου περιστρεφόμενου δίσκου.
- **ΠΡΟΣΟΧΗ!!** Στερεώστε, εάν είναι απαραίτητο, το καλώδιο τροφοδοσίας για να αποφύγετε τυχόν ακούσιο τράβηγμα ή επαφή με την επιφάνεια θέρμανσης.



- Μην πλένετε τη συσκευή με νερό. Το πλύσιμο μπορεί να προκαλέσει διαρροές και να αυξήσει τον κίνδυνο ηλεκτροπληξίας.
- Μην καθαρίζετε ή αποθηκεύετε τη συσκευή εάν δεν έχει κρυώσει πλήρως.
- Τα εξαρτήματα της συσκευής δεν είναι κατάλληλα για πλυντήριο πιάτων.

Προβλεπόμενη χρήση

- Η συσκευή ενδείκνυται για χρήση σε μπουφέ και οικιακή χρήση.
- Ο φούρνος μικροκυμάτων έχει σχεδιαστεί μόνο για τη θέρμανση και την απόψυξη τροφίμων χρησιμοποιώντας κατάλληλα πιάτα. Οποιαδήποτε άλλη χρήση μπορεί να προκαλέσει ζημιά στο φούρνο μικροκυμάτων ή τραυματισμό.
- Η χρήση της συσκευής για οποιονδήποτε άλλο σκοπό θεωρείται εσφαλμένη. Ο χρήστης είναι αποκλειστικά υπεύθυνος για την μη κατάλληλη χρήση της συσκευής.

Εγκατάσταση γείωσης

Η συσκευή αυτή ταξινομείται ως **κατηγορία προστασίας I** και πρέπει να συνδέεται με προστατευτικό έδαφος. Η γείωση μειώνει τον κίνδυνο ηλεκτροπληξίας παρέχοντας ένα καλώδιο διαφυγής για το ηλεκτρικό ρεύμα. Αυτή η συσκευή

είναι εφοδιασμένη με καλώδιο τροφοδοσίας που διαθέτει καλώδιο γείωσης και γειωμένο βύσμα. Το βύσμα πρέπει να συνδεθεί σε μια πρίζα που είναι σωστά εγκατεστημένη και γειωμένη.

Σκεύη

Μπορεί να υπάρχουν μη μεταλλικά σκεύη που δεν είναι κατάλληλα για χρήση σε αυτόν τον φούρνο μικροκυμάτων. Εάν έχετε αμφιβολίες, μπορείτε να ελέγξετε το σκεύος ακολουθώντας την παρακάτω διαδικασία.

Δοκιμή σκεύους:

Τοποθετήστε μέσα στο φούρνο μικροκυμάτων το σκεύος μαζί με ένα δοχείο με κρύο νερό (περίπου 250ml) που είναι κατάλληλο για χρήση σε φούρνο μικροκυμάτων. Λειτουργήστε τη συσκευή στη μέγιστη ισχύ για 1 λεπτό. Αγγίξτε προσεκτικά

το σκεύος. Εάν το σκεύος είναι ζεστό, ΜΗΝ το χρησιμοποιήσετε στο φούρνο μικροκυμάτων. Μην χρησιμοποιήσετε το σκεύος στο φούρνο μικροκυμάτων για πάνω από 1 λεπτό.

Οδηγός μαγειρικών σκευών

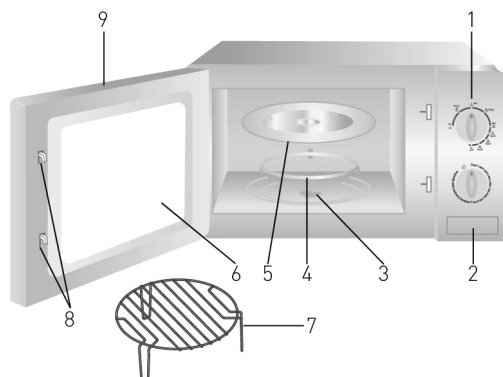
Ακολουθούν γενικές οδηγίες που θα σας βοηθήσουν να επιλέξετε τα κατάλληλα σκεύη:

Μαγειρικό σκεύος	Λειτουργία φούρου μικροκυμάτων	Λειτουργία γκριλ	Λειτουργία συνδυασμού	Σημείωση
Γυάλινο σκεύος ανθεκτικό στη θερμότητα	✓	✓	✓	
Γυάλινο σκεύος μη ανθεκτικό στη θερμότητα	x	x	x	
Κεραμικό σκεύος ανθεκτικό στη θερμότητα	✓	✓	✓	
Πλαστικά πιάτα κατάλληλα για φούρνο μικροκυμάτων	✓	x	x	Μη κατάλληλα για υψηλές θερμοκρασίες
Χαρτί κουζίνας	✓	x	x	Σύντομη διάρκεια, μόνο για ζέσταμα. Χρήση με επιτήρηση.
Μεταλλικός δίσκος	x	✓	x	Παρατηρείται παραμόρφωση σε περίπτωση χρήσης σε φούρνο μικροκυμάτων.
Μεταλλική σχάρα	x	✓	x	
Αλουμινόχαρτο και δοχείο από αλουμίνιο	x	✓	x	

✓: Κατάλληλο για χρήση στην αντίστοιχη λειτουργία. Τηρείτε τις οδηγίες του κατασκευαστή και αφαιρείτε το καπάκι.
Na μην χρησιμοποιείται εάν η επιφάνεια έχει ραγμές ή ζημιές.
x: Ακατάλληλο για χρήση στην αντίστοιχη λειτουργία.

Βασικά εξαρτήματα της συσκευής

1. Πίνακας ελέγχου (βλ. Εικ. 1)
2. Κουμπί ανοίγματος πόρτας
3. Περιστρεφόμενος άξονας
4. Περιστρεφόμενος οδηγός
5. Γυάλινος περιστρεφόμενος δίσκος
6. Γυάλινο παράθυρο
7. Σχάρα γκριλ (Χρησιμοποιείται μόνο σε λειτουργία γκριλ)
8. Μηχανισμός ασφάλισης πόρτας
9. Πόρτα



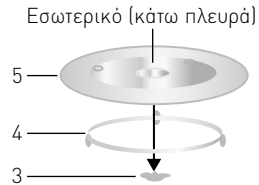
GR



Τοποθέτηση περιστρεφόμενων εξαρτημάτων

- Μην τοποθετείτε ποτέ τον γυάλινο περιστρεφόμενο δίσκο (5) ανάποδα.
- Χρησιμοποιείτε πάντα τον περιστρεφόμενο οδηγό (4) και τον γυάλινο δίσκο (5) για την προετοιμασία φαγητών.
- Όλα τα τρόφιμα και τα υγρά υλικά πρέπει να τοποθετούνται στο γυάλινο δίσκο (5).
- Τοποθετήστε τον περιστρεφόμενο οδηγό (4) και τον περιστρεφόμενο γυάλινο δίσκο (5) κάθετα προς τον περιστρεφόμενο άξονα (3). Βεβαιωθείτε ότι περιστρέφονται κανονικά.
- Καθαρίζετε τον γυάλινο δίσκο (5) μετά από κάθε χρήση.

- **ΠΡΟΣΟΧΗ:** ΜΗΝ χρησιμοποιείτε τον φούρνο μικροκυμάτων εάν ο γυάλινος δίσκος (5) ή ο περιστρεφόμενος οδηγός (4) έχει υποστεί ρωγμές ή ζημιές και επικοινωνήστε αμέσως με τον προμηθευτή σας.
- Χρησιμοποιείτε μόνο τον παρεχόμενο περιστρεφόμενο οδηγό (4) και γυάλινο δίσκο (5).



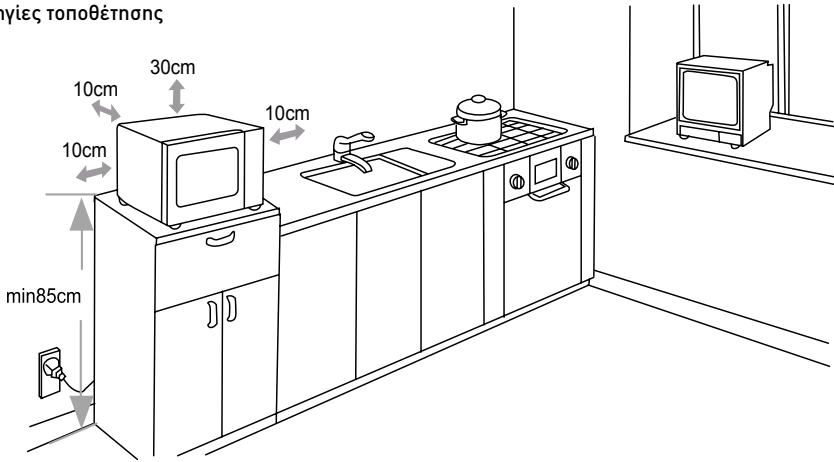
Προετοιμασία πριν από την πρώτη χρήση

- Αφαιρέστε κάθε προστατευτική συσκευασία και περιτύλιγμα.
- Βεβαιωθείτε ότι η συσκευή δεν φέρει ζημιές. Σε περίπτωση μη ολοκληρωμένης παράδοσης και ζημιών: Επικοινωνήστε με τον προμηθευτή (Βλ. ==> Εγγύηση).
- Φυλάξτε τη συσκευασία εάν σκοπεύετε να αποθηκεύσετε τη συσκευή σας στο μέλλον.
- Καθαρίστε τη συσκευή πριν από τη χρήση (Βλ. ==> Καθαρισμός και συντήρηση).
- Βεβαιωθείτε ότι η συσκευή είναι τελείως στεγνή.
- Τοποθετήστε τη συσκευή σε μια επιφάνεια, σταθερή και ανθεκτική στη θερμότητα επιφάνεια, προστατευμένη από το νερό.

- Μην τοποθετείτε τη συσκευή κοντά σε συσκευές που είναι ευαίσθητες στις παρεμβολές από μαγνητικές πηγές (π.χ. ραδιόφωνα, κασετόφωνα).

ΣΗΜΕΙΩΣΗ: Λόγω καταλοίπων από τη διαδικασία παραγωγής, η συσκευή ενδέχεται να παράγει μια ελαφριά μυρωδιά στους πρώτους κύκλους λειτουργίας της. Αυτό είναι φυσιολογικό και δεν υποδηλώνει ατέλεια ή κίνδυνο. Βεβαιωθείτε ότι η συσκευή διαθέτει καλό εξαερισμό.

Οδηγίες τοποθέτησης



Λειτουργία

- Τοποθετήστε τον φούρνο μικροκυμάτων σε μια επίπεδη, σταθερή, ανθεκτική στη θερμότητα και στεγνή οριζόντια επιφάνεια. Αφήστε χώρο για επαρκή αερισμό:
 - επάνω από τον φούρνο μικροκυμάτων: 30 cm
 - πίσω από τον φούρνο μικροκυμάτων: 10 cm
 - στο πλάι του φούρνου μικροκυμάτων: 10 cm

- Ανοίξτε την πόρτα (9) πιέζοντας το κουμπι ανοίγματος της πόρτας (2).
- Τοποθετήστε σωστά τον περιστρεφόμενο οδηγό (4) και τον γυάλινο δίσκο (5). Διαφορετικά, ο δίσκος δεν θα περιστρέφεται σωστά. (Βλ. = > Τοποθέτηση περιστρεφόμενων εξαρτημάτων).
- Συνδέστε το βύσμα σε μια κατάλληλη πρίζα.

GR

ΣΗΜΕΙΩΣΕΙΣ:

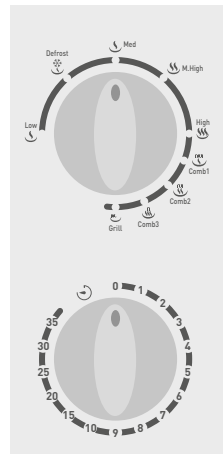
- Μην τοποθετείτε τον φούρνο μικροκυμάτων σε μέρος όπου δημιουργείται υψηλή θερμότητα ή υγρασία ή κοντά σε εύφλεκτα υλικά.
- Βεβαιωθείτε ότι το καλώδιο τροφοδοσίας δεν είναι φθαρμένο και δεν βρίσκεται κάτω από τον φούρνο μικροκυμάτων ή επάνω σε ζεστές ή αιχμηρές επιφάνειες.
- Το βύσμα πρέπει να είναι εύκολα προσβάσιμο έτσι ώστε να μπορεί να αποσυνδεθεί εύκολα σε περίπτωση έκτακτης ανάγκης.

- **ΠΡΟΣΟΧΗ:** Η σάρα γκριλ (7) μπορεί να χρησιμοποιείται μόνο σε λειτουργία Γκριλ.
- Ο γυάλινος δίσκος (5) πρέπει να χρησιμοποιείται σε όλες τις λειτουργίες: Λειτουργίες φούρνου μικροκυμάτων, γκριλ και συνδυασμού.
- Χρησιμοποιήστε κατάλληλα πιάτα όταν χρησιμοποιείτε τη σάρα (7) ώστε να μην ακουμπούν τα τοιχώματα της συσκευής.
- Τοποθετήστε το φαγητό μέσα στον φούρνο και κλείστε την πόρτα (9).



Ρύθμιση ισχύος και χρόνου:

- Ρυθμίστε την ισχύ μαγειρέματος περιστρέφοντας τον διακόπτη ισχύος στο επιθυμητό επίπεδο ισχύος στον πίνακα ελέγχου (1). (Λειτουργία φούρνου μικροκυμάτων, συνδυασμού ή γκριλ).
- Ρυθμίστε τον χρόνο μαγειρέματος (εύρος: 0 λεπτά ~ 35 λεπτά) περιστρέφοντας τον χρονοδιακόπτη στον επιθυμητό χρόνο μαγειρέματος.
- Ο φούρνος μικροκυμάτων ξεκινά να λειτουργεί αυτόματα όταν ρυθμιστεί το επίπεδο ισχύος και ο χρόνος.
- Μετά την ολοκλήρωση του χρόνου μαγειρέματος, θα ακουστεί ένας ήχος και η λειτουργία μαγειρέματος θα ολοκληρωθεί.
- Μπορείτε να βγάλετε το φαγητό από τον φούρνο. Χρησιμοποιήστε γάντια φούρνου εάν είναι απαραίτητο (δεν περιλαμβάνονται). Προσέξτε τη ζεστή επιφάνεια.
- Όταν η συσκευή δεν χρησιμοποιείται, ο χρονοδιακόπτης πρέπει να βρίσκεται πάντα στη θέση «0».



Εικ. 1

Λειτουργία	Κατά προσέγγιση ισχύς εξόδου	Χρήση εφαρμογής
Χαμηλή	120W	Μαλάκωμα παγωτού
Απόψυξη	230W	Ζέσταμα σούπας, μαλάκωμα βουτύρου ή απόψυξη
Μεσαία	385W	Ζέσταμα, ψάρια
Μεσαία Υψηλή	540W	Ρύζι, ψάρια, κοτόπουλο, κιμάς
Υψηλή	700W	Ζέσταμα γάλακτος, λαχανικών, νερού, ροφημάτων

ΣΗΜΕΙΩΣΗ: Στον παραπάνω πίνακα, η στάθμη ενέργειας αναφέρεται μόνο στην έξοδο ισχύος του φούρνου μικροκυμάτων και όχι στο γκριλ ή την κατανάλωση ενέργειας της συσκευής. Η χρήση εφαρμογής παρέχεται μόνο για λόγους αναφοράς.

Λειτουργία	Λειτουργία	Χρήση εφαρμογής
Λειτουργία συνδυασμού 1	80% χρόνου: γκριλ, 20% χρόνου: φούρνος μικροκυμάτων	Ψήσιμο μπριζόλας, κιμά, κεμπάμπ, λουκάνικων και κομματιών κοτόπουλου
Λειτουργία συνδυασμού 2	70% χρόνου: γκριλ, 30% χρόνου: φούρνος μικροκυμάτων	Κομμάτια κοτόπουλου, χοιρινές μπριζόλες, ψάρια
Λειτουργία συνδυασμού 3	60% χρόνου: γκριλ, 40% χρόνου: φούρνος μικροκυμάτων	Πουτίγκες, ομελέτες, ψητά καρότα και λαχανικά
Γκριλ	100% χρόνου: γκριλ	Ψήσιμο ψωμιού, τρόφιμα σε φέτες

ΣΗΜΕΙΩΣΗ:

1. Στον παραπάνω πίνακα αναφέρονται οι λειτουργίες συνδυασμού και γκριλ.
2. Όταν αφαιρείτε τα τρόφιμα από τη συσκευή, βεβαιωθείτε ότι η συσκευή είναι απενεργοποιημένη θέτοντας τον χρονοδιακόπτη στη θέση «0». Διαφορετικά, μπορεί να προκληθεί βλάβη στη συσκευή.
3. Οι παραπάνω 2 πίνακες παρέχονται μόνο για λόγους αναφοράς. Ο πραγματικός χρόνος μαγειρέματος και η ρύθμιση ισχύος ποικίλλουν ανάλογα με το επιθυμητό αποτέλεσμα μαγειρέματος. Αλλάξτε χειροκίνητα τον χρόνο και την ισχύ μαγειρέματος, εάν χρειάζεται.



Συμβουλές μαγειρικής

- Μπορείτε να ανοίξετε την πόρτα της συσκευής ανά πάσα στιγμή κατά τη διάρκεια της διαδικασίας μαγειρέματος. Μπορείτε, για παράδειγμα, να γυρίσετε ή να ανακατέψετε το φαγητό, ή να ελέγξετε εάν το φαγητό μαγειρεύεται ομοιόμορφα.
- Τερματίστε τη διαδικασία μαγειρέματος, θέτοντας χειροκίνητα τον χρονοδιακόπτη στη θέση «0».
- Μπορείτε να βγάλετε το φαγητό από τον φούρνο. Χρησιμοποιήστε γάντια φούρνου εάν είναι απαραίτητο (δεν περιλαμβάνονται). Προσέξτε τη ζεστή επιφάνεια.
- Όταν η συσκευή δεν χρησιμοποιείται, ο χρονοδιακόπτης πρέπει να βρίσκεται πάντα στη θέση «0».

Καθαρισμός και Συντήρηση

ΠΡΟΣΟΧΗ: Να αποσυνδέετε πάντα τη συσκευή από την πρίζα και να την αφήνετε να κρυώνει τελείως πριν την καθαρίσετε και την αποθηκεύσετε.

Καθαρισμός

- Μην βυθίζετε ποτέ τη συσκευή σε νερό ή άλλα υγρά.
- Καθαρίζετε την στεγνή εξωτερική επιφάνεια με ένα ελαφρώς υγρό πανί ή σφουγγάρι με λίγο ήπιο διάλυμα σαπουνιού.
- Μην χρησιμοποιείτε τριπτικά σφουγγάρια ή απορρυπαντικά, σύρματα ή μεταλλικά σκεύη για τον καθαρισμό των εσωτερικών ή εξωτερικών μερών της συσκευής.
- Ο γυάλινος δίσκος (5) μπορεί να αφαιρεθεί για καθαρισμό. Προσέχετε ιδιαίτερα όταν καθαρίζετε τον γυάλινο δίσκο (5) για να αποφύγετε τυχόν ζημιές. Καθαρίστε τον με ζεστό σαπουνόνερο.
- Ο περιστρεφόμενος οδηγός (4) και το κάτω μέρος της κοιλότητας πρέπει να καθαρίζονται τακτικά για λόγους υγιεινής και προκειμένου ο περιστρεφόμενος οδηγός (4) να συνεχίσει να λειτουργεί σωστά.
- Η λυχνία στο εσωτερικό του φούρνου μπορεί να αντικατασταθεί μόνο από εξουσιοδοτημένο τεχνικό.

Αποθήκευση

- Πριν αποθηκεύσετε την συσκευή, βεβαιωθείτε ότι έχει αποσυνδεθεί από την πρίζα και έχει κρυώσει πλήρως.
- Φυλάσσετε τη συσκευή σε δροσερό, καθαρό και στεγνό χώρο.

Αντιμετώπιση προβλημάτων

Αν η συσκευή δεν λειτουργεί σωστά, συμβουλευτείτε τον παρακάτω πίνακα για πιθανές λύσεις. Αν συνεχίσετε να μην μπορείτε να επιλύσετε το πρόβλημα, επικοινωνήστε με τον προμηθευτή/πάροχο σέρβις.

Προβλήματα	Πιθανή αιτία	Πιθανή λύση
Η συσκευή δεν ανάβει.	- Το βύσμα τροφοδοσίας δεν είναι σωστά συνδεδεμένο με την πρίζα. - Ο χρονοδιακόπτης έχει ρυθμιστεί στη θέση «0». - Η πόρτα (9) δεν έχει κλείσει καλά.	- Ελέγξτε την πρίζα για να βεβαιωθείτε ότι είναι συνδεδεμένη σωστά. - Περιστρέψτε τον χρονοδιακόπτη στον επιθυμητό χρόνο μαγειρέματος. - Βεβαιωθείτε ότι η πόρτα (9) έχει κλείσει και ασφαλίσει σωστά.
Ο γυάλινος δίσκος (5) κάνει θόρυβο κατά τη λειτουργία της συσκευής.	- Ο γυάλινος δίσκος (5) δεν έχει τοποθετηθεί σωστά. - Το κάτω μέρος της κοιλότητας δεν είναι επίπεδο, λόγω υπολειμμάτων τροφίμων.	- Βεβαιωθείτε ότι ο γυάλινος δίσκος (5) έχει τοποθετηθεί σωστά. - Καθαρίστε το κάτω μέρος της κοιλότητας για να είναι επίπεδο.



Τεχνικές προδιαγραφές

Αρ. είδους.	281710
Τάση και συχνότητα λειτουργίας	230V~ 50Hz
Συχνότητα φούρνου μικροκυμάτων	2450 MHz
Ονομαστική ισχύς εισόδου (Φούρνος μικροκυμάτων)	1050 W
Ονομαστική ισχύς εξόδου (Φούρνος μικροκυμάτων)	700 W
Ονομαστική ισχύς εισόδου (Γκριλ)	1000 W
Χωρητικότητα φούρνου	20 λίτρα
Ρύθμιση χρονοδιακόπτη	0 λεπτά ~ 35 λεπτά
Κατηγορία προστασίας	Κατηγορία I
Διαστάσεις	440 x 330 x (H) 259 mm

ΣΧΟΛΙΟ: Οι τεχνικές προδιαγραφές μπορούν να τροποποιηθούν χωρίς προηγούμενη ειδοποίηση.

Εγγύηση

Οποιοδήποτε ελάττωμα επηρεάζει τη λειτουργικότητα της συσκευής που γίνεται προφανές δύο χρόνια μετά την αγορά της, θα διορθώνεται με δωρεάν επισκευή ή αντικατάσταση, αρκεί η συσκευή να έχει χρησιμοποιηθεί και συντηρηθεί σύμφωνα με τις οδηγίες και να μην έχει γίνει κατάχρηση ή λανθασμένη χρήση της με οποιονδήποτε τρόπο. Δε θίγονται τα νόμιμα δικαιώματά σας. Εάν η συσκευή υποστηρίζεται

από εγγύηση, δηλώστε πού και πότε έχει αγοραστεί και συμπεριλάβετε την απόδειξη αγοράς (π.χ. απόδειξη λιανικής πώλησης).

Σύμφωνα με την πολιτική μας για τη συνεχή εξέλιξη των προϊόντων μας, διατηρούμε το δικαίωμα να αλλάξουμε το προϊόν, τη συσκευασία και τις προδιαγραφές τεκμηρίωσής του χωρίς προειδοποίηση.

Απόρριψη & Περιβάλλον

Η συσκευή, μετά το πέρας της διάρκειας ζωής της, δεν πρέπει να απορρίπτεται ως οικιακό απόρριμμα. Πρέπει να απορρίπτεται, με δική σας ευθύνη, σε καθορισμένο σημείο συλλογής. Η μη τήρηση αυτού ενδέχεται να τιμωρείται σύμφωνα με τους ισχύοντες κανονισμούς για τη διάθεση των απορριμμάτων. Η χωριστή συλλογή και ανακύκλωση αυτής της συσκευής κατά τη στιγμή της απόρριψης βοηθά στη διατήρηση των φυσικών πόρων και εξασφαλίζει την ανακύκλωσή της με τρόπο που προστατεύει την ανθρώπινη υγεία και το περιβάλλον.

Για περισσότερες πληροφορίες σχετικά με το πού μπορείτε να απορρίψετε τη συσκευή για ανακύκλωση, επικοινωνήστε με την τοπική εταιρεία συλλογής απορριμμάτων. Οι κατασκευαστές και οι εισαγωγείς δεν αναλαμβάνουν την ευθύνη ανακύκλωσης, επεξεργασίας και οικολογικής διάθεσης, είτε άμεσα είτε μέσω δημόσιου συστήματος.

ΣΕΡΒΙΣ ΕΛΛΑΔΟΣ:

Τηλ.: 213 0 998989 (10 γραμμές)


info@pks-hendi.com



Vážený zákazníku,

Děkujeme, že jste si koupili tento spotřebič Hendi. Přečtěte si pozorně tuto příručku a věnujte zvláštní pozornost níže uvedeným bezpečnostním předpisům před instalací a používáním tohoto spotřebiče poprvé.

Bezpečnostní předpisy

- Tento spotřebič je určen pro použití v občerstvení a domácnosti.
- Spotřebič používejte pouze k zamýšlenému účelu, pro který byl navržen, jak je popsáno v této příručce.
- Výrobce nenes odpovědnost za škody způsobené nesprávným provozem a nesprávným používáním.
- Udržujte spotřebič a elektrickou zástrčku mimo vodu a jiné kapaliny. V případě, že spotřebič spadne do vody, okamžitě vyjměte zástrčku ze zásuvky. Nepoužívejte spotřebič, dokud nebyl zkontrolován certifikovaným technikem. Nedodržení těchto pokynů způsobí život ohrožující rizika.
- Nikdy se nepokoušejte otevřít kryt spotřebiče sami.
- Nevkládejte předměty do pouzdra spotřebiče.
- Nedotýkejte se zástrčky mokřými nebo vlhkými rukama.
-  **NEBEZPEČÍ ELEKTRICKÝM PROUDEM!** Nepokoušejte se opravit spotřebič sami, opravy provádějí pouze kvalifikovaní pracovníci.
- **Nikdy nepoužívejte poškozený spotřebič!** Když je poškozen, odpojte spotřebič od zásuvky a obraťte se na prodejce.
- **VAROVÁNÍ!** Neponořte elektrické části spotřebiče do vody nebo jiných kapalin.
- Nikdy nedržte spotřebič pod tekoucí vodou.
- Pravidelně kontrolujte napájecí zástrčku a kabel pro případné poškození. Pokud je poškozen, musí být nahrazen servisním zástupcem nebo podobně kvalifikovanou osobou, aby se zabránilo nebezpečí nebo zranění.
- Ujistěte se, že kabel nepřichází do kontaktu s ostrými nebo horkými předměty a udržujte jej mimo otevřený oheň. Nikdy nevytahujte napájecí kabel, abyste jej odpojili od zásuvky, vždy vytáhněte zástrčku.
- Ujistěte se, že napájecí kabel nebo prodlužovací kabel nezpůsobují nebezpečí výletu.
- Spotřebič během používání nenechávejte bez dozoru.
- **VAROVÁNÍ!** Dokud je zástrčka v zásuvce, je spotřebič připojen ke zdroji napájení.
- Vypněte spotřebič před odpojením ze zásuvky.
- Napájecí zástrčku připojte ke snadno přístupné elektrické zásuvce, takže v případě nouze lze spotřebič okamžitě odpojit.
- Nikdy nenoste spotřebič za šňůru.
- Nepoužívejte žádná další zařízení, která nejsou dodávána společně se spotřebičem.
- Připojte spotřebič pouze k elektrické zásuvce s napětím a frekvencí uvedenými na štítku spotřebiče.

CZ



- Nikdy nepoužívejte jiné příslušenství než příslušenství doporučené výrobcem. Pokud tak neučiníte, mohlo by představovat bezpečnostní riziko pro uživatele a mohlo by dojít k poškození spotřebiče. Používejte pouze originální díly a příslušenství.
- Tento spotřebič by neměl být provozován osobami se sníženými fyzickými, smyslovými nebo duševními schopnostmi ani osobami, které nemají zkušenosti a znalosti.
- Tento spotřebič by za žádných okolností neměly používat děti.
- Spotřebič a napájecí kabel uchovávejte mimo dosah dětí.
- **VAROVÁNÍ:** VŽDY vypněte spotřebič a odpojte od elektrické zásuvky před čištěním, údržbou nebo skladováním.

Zvláštní bezpečnostní předpisy

- Spotřebič je určen pouze pro ohřev, rozmrazování, grilování a přípravu potravin a nápojů. Sušení potravin nebo oděvů a zahřívání nahřívavých polštářů, pantoflí, houbiček, vlhkých hadříků atd. může vést ke vzniku zranění nebo požáru.
- Spotřebič používejte pouze podle tohoto návodu.
- Spotřebič je určen pro použití v domácnostech a na následujících místech:
 - kuchyně pro zaměstnance v obchodech, kancelářích a dalších pracovištích;
 - zemědělské podniky;
 - kuchyně určené pro hosty v hotelech, motelech a dalších obytných oblastech;
 - hotely typu „bed and breakfast“.



POZOR! Horký povrch! Během provozu se dvířka a další dostupné plochy zahřívají na velmi vysoké teploty. Dotýkejte se pouze ovládacího panelu.

- Nepoužívejte spotřebič před tím, než dovnitř umístíte potraviny, protože by mohlo dojít k jeho poškození.
- Pro přípravu pokrmů v zařízení používejte pouze nádoby vhodné pro použití v mikrovlnných troubách. Nepoužívejte nádoby a přístroje, které jsou vyrobeny nebo obsahují kov, hliníkovou fólii, olovnatý křišťál (křišťál), umělé hmoty, jež nejsou odolné vůči vysokým teplotám, kovové nebo dřevěné sponky do vlasů nebo drátěné třmeny. Nepoužívejte misky s kovovým okrajem nebo plastové misky s částečně odstraněným víkem. Nebezpečí vzniku požáru.
- Vzhledem k riziku vznícení sledujte proces ohřevu jídla zabaleného v plastových nebo papírových nádobách.
- Pokud zpozorujete kouř, vypněte spotřebič nebo vyjměte zástrčku ze zásuvky a neotvírejte dveře. To umožní rychleji uhasit oheň.
- Nepoužívejte mikrovlnnou troubu, pokud v ní nejsou žádné potraviny. Je to velmi nebezpečné.
- Nepoužívejte mikrovlnnou troubu, pokud jsou dveře otevřené, protože to může mít za následek působení energie ve formě mikrovlnného záření. Neodstraňujte a nemanipulujte s bezpečnostními zámky.

- Neohřívejte v mikrovlnné troubě vejce ve skořápce nebo vejce vařená natvrdo, protože mohou explodovat, i když byl proces ohřevu dokončen.
- **VAROVÁNÍ:** Pokud jsou dveře nebo těsnění dveří poškozeny, nepoužívejte mikrovlnnou troubu, dokud ji neopraví autorizovaný servisní technik.
- **VAROVÁNÍ:** Je nebezpečné provádět operace údržby nebo opravy spočívající v odstranění víka chránícího před účinky mikrovlnného záření osobami, které nejsou autorizovanými zaměstnanci servisu.
- **VAROVÁNÍ:** Nezahřívejte v mikrovlnné troubě kapaliny nebo jiné potraviny v uzavřených nádobách, lahvích atd., protože hrozí výbuch nádoby, lahve atd.
- **VAROVÁNÍ:** Aby nedošlo k popálení, protřepejte nebo promíchejte obsah dětských lahví nebo sklenic před konzumací a zkontrolujte teplotu nápoje nebo jídla.
- **VAROVÁNÍ:** Ohřívání nápojů v mikrovlnné troubě může způsobit zpoždění rychlého varu. Buďte opatrní při přenášení nádoby.
- Zařízení by nemělo být vestavěno. Neblokujte větrací otvory jednotky. Informace o tom, kolik prostoru kolem zařízení musí být ponecháno, aby bylo zajištěno správné proudění vzduchu, jsou uvedeny v části „Před použitím“.
- Nádobí se může při kontaktu s horkými potravinami zahřát. Chcete-li vyjmout potraviny ze zařízení, použijte rukavice (které nejsou součástí zařízení).
- Pravidelně čistěte spotřebič a odstraňujte zbytky jídla z varné komory.
- Neschopnost udržet vařič čistý může vést ke zhoršení stavu povrchu, což může negativně ovlivnit životnost spotřebiče a vést k nebezpečné situaci.
- Nepoužívejte komoru mikrovlnné trouby jako skladovací prostor. V mikrovlnné troubě neskladujte potraviny, jako je chléb, sušenky atd.
- Zařízení není určeno pro práci s externím časovačem nebo samostatným systémem dálkového ovládání.
- Buďte opatrní při vkládání potravin do přístroje, abyste nepoškodili rotující desku.
- **POZOR!** Vhodně vedte a zajistěte napájecí kabel, abyste zabránili náhodnému vytažení nebo kontaktu se zahříváním povrchem.
- Nečistěte spotřebič vodou. Mytí spotřebiče může způsobit, že voda pronikne do elektrických částí a způsobí elektrický šok.
- Nečistěte ani neumísťujte spotřebič do úložného prostoru, dokud se zcela neochladí.
- Části spotřebiče nelze mýt v myčce nádobí.

Zamýšlené použití

- Tento spotřebič je určen pro použití v občerstvení a domácnosti.
- Spotřebič je určen pouze pro ohřev a rozmrazování potravin v nádobách vhodných pro použití v mikrovlnných troubách. Jakékoli jiné použití může vést k poškození přístroje nebo zranění osob.
- Provozování zařízení pro jiné účely se považuje za zneužití zařízení. Uživatel nese výhradní odpovědnost za nesprávné použití zařízení.



Uzemňovací instalace

Tento spotřebič je klasifikován jako **třída ochrany I** a musí být připojen k ochrannému prostředku. Uzemnění snižuje riziko úrazu elektrickým proudem tím, že poskytuje únikový vodič pro elektrický proud. Tento spotřebič je

vybaven napájecím kabelem, který má uzemňovací vodič a uzemňovací zástrčku. Zástrčka musí být zapojena do zásuvky, která je správně instalována a uzemněna.

Nádobí

Použití některých nekovových nástrojů v mikrovlnné troubě může být nebezpečné. Pokud máte pochybnosti, zda dané nádobí může být použito v mikrovlnné troubě, můžete provést jeho test podle níže uvedeného návodu:

Test nádobí:

Naplněte nádobu, kterou chcete otestovat v mikrovlnné troubě, 1 sklenicí (250 ml) studené vody a umístěte tuto nádobu do varné komory. Zahřejte 1 minutu na maximální výkon. Jemně

se dotkněte testovaného nádobí. Pokud je nádoba teplá, **NENÍ** vhodná k použití v mikrovlnné troubě. Nezahřívajte nádobu déle než 1 minutu.

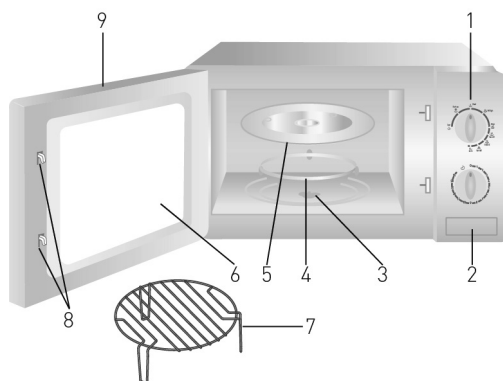
Seznam kuchyňského nádobí

Níže uvedený seznam Vám umožní vybrat vhodné kuchyňské náčiní:

Kuchyňské náčiní	Standardní režim	Režim grilování	Kombinovaný režim	Poznámky
Sklo odolné vůči vysokým teplotám	✓	✓	✓	
Sklo, které není odolné vůči vysokým teplotám	x	x	x	
Keramika odolná vůči vysokým teplotám	✓	✓	✓	
Nádobí z umělé hmoty vhodné k použití v mikrovlnných troubách	✓	x	x	Nevhodné k použití v případě vysokých teplot
Papírové ručníky	✓	x	x	Výhradně krátký ohřev pod dohledem uživatele.
Kovové tácky	x	✓	x	Během provozu zařízení se objevují jiskry.
Kovový stojan	x	✓	x	
Hliníkové fólie a hliníkové nádoby	x	✓	x	
✓ : Přípustné použití v uvedeném režimu. Používejte pouze podle pokynů výrobce; ujistěte se, že víko je odstraněno, pokud je součástí dané nádoby. Pokud je povrch nádoby popraskaný nebo poškozený, nevkládejte ji do trouby.				
x: Není vhodná pro použití v daném režimu.				

Hlavní části zařízení

1. Ovládací panel (viz obr. 1)
2. Tlačítko otevírání dveří
3. Hřídel rotační desky
4. Otočný díl
5. Rotační skleněná deska
6. Skleněné okno
7. Grilovací stojan (pro použití pouze v režimu grilování)
8. Mechanismus zavírání dveří
9. Dvířka

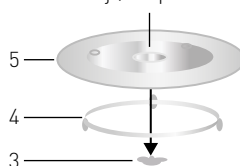


Instalace rotační desky

- Nikdy nepokládejte rotační talíř (5) dnem vzhůru.
- Během provozu přístroje musí být v troubě umístěn rotační prvek (4) a talíř (5).
- Potraviny a nápoje umístěte na skleněném otočném talíři (5).
- Instalujte rotační prvek (4) a rotační desku (5) kolmo k hřídeli rotační desky (3). Ujistěte se, že se díl a talíř otáčejí plynule.
- Po každém použití umyjte rotační talíř (5).
- **POZNÁMKA:** NEPOUŽÍVEJTE mikrovlnnou troubu, pokud rotační talíř (5) nebo rotační

- prvek (4) praskne nebo bude jinak poškozen - v takovém případě se obraťte na dodavatele.
- Používejte pouze rotační prvek (4) a skleněný rotační talíř (5) přiložený k zařízení.

Náboj (ve spodní části)



Před prvním použitím

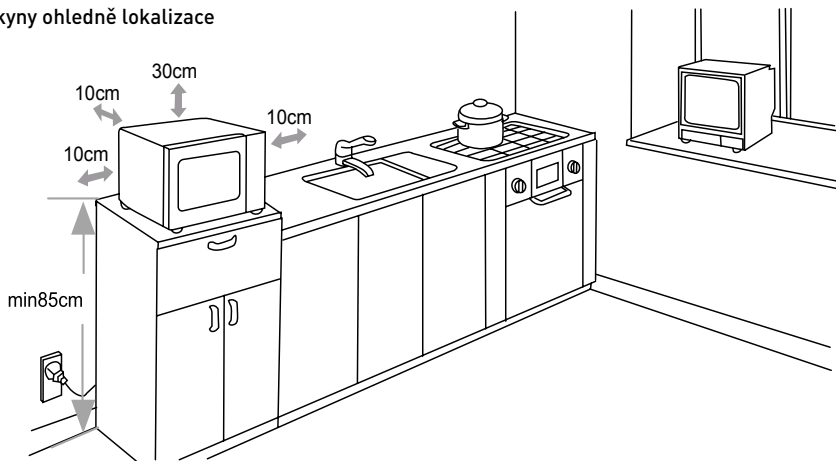
- Sejměte a odstraňte balení a ochranu.
- Zkontrolujte, zda není zařízení poškozeno. V případě neúplného doručení nebo poškození kontaktujte svého dodavatele (viz ==> Záruka).
- Uchovávejte obal pro případ potřeby zabalení zařízení v budoucnu.
- Vyčistěte spotřebič (viz = = > Čištění a údržba).
- Zkontrolujte, zda je zařízení zcela suché.
- Umístěte jednotku na vodorovný, stabilní povrch, který je odolný proti vysokým teplotám a stříkající kapalině.

- Přístroj neumísťte v blízkosti předmětů, které jsou citlivé na poruchy způsobené magnetickým zářením (např. radiopřijímače, kazetové magnetofony).

POZNÁMKA: Kvůli zbytkům z výrobního procesu může během prvních několika spuštění ze zařízení vycházet slabý specifický zápach. Jedná se o běžný jev a nesvědčí o poškození zařízení nebo nebezpečí pro uživatele. Zkontrolujte, zda je zařízení dobře ventilováno.



Pokyny ohledně lokalizace



Obsluha

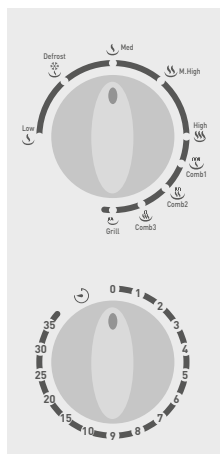
- Umístěte mikrovlnnou troubu na rovný, stabilní, suchý vodorovný povrch, který je chráněn před vysokými teplotami. Chcete-li zajistit správný průtok vzduchu, ponechte kolem zařízení volný prostor podle následujících pokynů:
 - nad troubou: 30 cm
 - za troubou: 10 cm
 - po stranách trouby: 10 cm
- Otevřete dvířka mikrovlnné trouby (9) stisknutím tlačítka otevření dveří (2).
- Umístěte rotační prvek (4) a otočný rotační talíř (5) do správné polohy. Umístění výše uvedených dílů do nesprávné polohy zablokuje otáčení talíře (5). (Viz = = > Montáž rotačního talíře).
- Zapojte zástrčku do příslušné elektrické zásuvky.

UPOZORNĚNÍ:

- Nepokládejte mikrovlnnou troubu na místa, která vydávají teplo nebo které jsou velmi vlhká, stejně jako v blízkosti hořlavých materiálů.
- Ujistěte se, že napájecí kabel nebyl poškozen, nebyl veden pod troubou nebo přes ostré nebo vyhřívané povrchy.
- Napájecí kabel musí být připojen k elektrické zásuvce, k níž není ztížený přístup kvůli tomu, aby bylo v případě poruchy zařízení možné okamžitě odpojit od elektrické sítě.
- **POZNÁMKA:** Stojan na grilování (7) lze použít pouze v režimu grilování.
- Rotační talíř (5) musí být použit v libovolném režimu: Ve standardním režimu, režimu grilování a kombinovaném režimu.
- Při použití grilovacího stojanu (7) použijte příslušné nástroje, aby se nedotýkala stěn spotřebiče.
- Umístěte potraviny do vhodné nádoby a zavřete dveře (9).

Nastavení úrovně výkonu a časovače:

- Nastavte výkon přístroje otočením kotouče na ovládacím panelu (1) na zvolený výkon. (Standardní, BBQ a kombinovaný režim).
- Nastavte provozní dobu (rozsah: 0 min ~ 35 min) otočením voliče časovače na vybranou hodnotu.
- Trouba se automaticky spustí po nastavení výkonu a času.
- Po uplynutí stanovené doby se ozve zvukový signál a zařízení přestane pracovat.
- Potraviny lze vyjmout ze zařízení. V případě potřeby použijte kuchyňské rukavice (nejsou součástí balení). Pozor na horký povrch přístroje.
- Pokud se zařízení nepoužívá, nastavte časovač na hodnotu „0“.



Obr. 1

Funkce	Odhadovaný výstupní výkon	Použití
Nízký výkon	120 W	Lehké rozmrazování zmrzliny
Rozmrazování	230 W	Ohřev polévek, změknutí másla nebo rozmrazení
Průměrný výkon	385 W	Vaření guláše, ryb
Vyšší střední výkon	540 W	Příprava rýže, ryb, kuře, mletého masa
Vysoký výkon	700 W	Ohřev mléka, zeleniny, vroucí vody, ohřev jiných nápojů

CZ

POZNÁMKA: Výše uvedená tabulka uvádí pouze úrovně výstupního výkonu mikrovlnné trouby, nikoliv výkon grilu nebo spotřebu energie spotřebiče. Výše uvedené údaje jsou výhradně informační povahy.

Funkce	Programram	Použití
Kombinovaný režim 1	80% času: režim grilování; 20% času: standardní režim;	Grilování steaků, mletého masa, kebabů, klobás a kuřecích kousků.
Kombinovaný režim 2	70% času: režim grilování; 30% času: standardní režim;	Kuřecí kousky, vepřová panenka, ryby
Kombinovaný režim 3	60% času: režim grilování; 40% času: standardní režim;	Pudinky, omelety, pečená mrkev a další zelenina
Režim grilování	100% času: režim grilování;	100% času: režim grilování;

POZNÁMKA:

1. Výše uvedená tabulka zobrazuje program standardního režimu a režimu grilování.
2. Před vyjmutím potravin z trouby se ujistěte, že je přístroj vypnutý (časovač je nastaven na hodnotu „0“). V opačném případě může při vyjímání potravin dojít k poškození zařízení.
3. Výše uvedené tabulky mají výlučně informační charakter. Skutečná doba přípravy a parametry výkonu závisí na požadovaném účinku přípravy potravin v troubě. V případě potřeby změňte dobu vaření a nastavení výkonu ručně.



Tipy pro přípravu potravin v troubě

- V případě potřeby může být přístroj otevřen kdykoli během jeho provozu, například pro otočení nebo míchání jídla nebo pro kontrolu stavu jeho připravenosti.
- Chcete-li dokončit proces vaření, nastavte volič časovače do polohy „0“.
- Potraviny lze vyjmout ze zařízení. V případě potřeby použijte kuchyňské rukavice (nejsou součástí balení). Pozor na horký povrch přístroje.
- Pokud se zařízení nepoužívá, nastavte časovač na hodnotu „0“.

Čištění a údržba

Poznámka: Před zahájením čištění a umístěním spotřebiče v úložném prostoru vždy odpojte spotřebič od zásuvky a nechte varnou desku vychladnout.

Čištění

- Nikdy neponořujte spotřebič do vody a jiných kapalin.
- Jakmile se vnější povrch ochladí, vyčistěte ho vlhkým hadříkem nebo houbou s malým množstvím jemného pracího prostředku.
- K čištění vnitřní i vnější části zařízení nikdy nepoužívejte drsné houbičky ani žíravé čisticí prostředky, ale ani houbičky z ocelové vlny nebo kovové nástroje.
- V případě potřeby může být přístroj otevřen kdykoli během jeho provozu, například pro otočení nebo míchání jídla nebo pro kontrolu stavu jeho připravenosti.
- Chcete-li dokončit proces vaření, nastavte volič časovače do polohy „0“.
- Potraviny lze vyjmout ze zařízení. V případě potřeby použijte kuchyňské rukavice (nejsou součástí balení). Pozor na horký povrch přístroje.
- Pokud se zařízení nepoužívá, nastavte časovač na hodnotu „0“.

CZ

Skladování

- Před umístěním na bezpečné místo se vždy ujistěte, že je spotřebič odpojen od síťové zásuvky a zcela ochlazen.
- Přístroj skladujte na chladném, čistém a suchém místě.

Diagnostika

Pokud zařízení nefunguje správně, podívejte se na následující tabulku, abyste našli správné řešení. Pokud stále nemůžete vyřešit problém, obraťte se na dodavatele.

Problém	Možná příčina	Možné řešení
Přístroj se nezapne.	- Zástrčka není správně připojena k zásuvce. - Časovač je nastaven na hodnotu „0“. - Dvířka trouby (9) nejsou řádně uzavřena.	- Zkontrolujte, zda je zástrčka správně připojena k zásuvce. - Nastavte volič časovače na vybranou hodnotu. - Zkontrolujte, zda jsou dvířka (9) pevně zavřena.
Během provozu přístroje rotující skleněný talíř (5) vydává hlasité zvuky.	- Rotační skleněný talíř (5) není správně instalován. - Na dně komory zůstaly zbytky jídla, takže povrch není hladký.	- Ujistěte se, zda je rotační skleněný talíř(5) správně usazen. - Vyčistěte spodní část komory trouby od zbytků, které zabraňují pohybu talíře.



Technická specifikace

Číslo výrobku	281710
Provozní napětí a frekvence	230V~ 50Hz
Frekvence mikrovln	2450 MHz
Jmenovitý příkon (standardní režim)	1050 W
Jmenovitý výstupní výkon (standardní režim)	700 W
Jmenovitý příkon (režim grilování)	1000 W
Kapacita komory trouby	20 litrů
Rozsah nastavení časovače	0 min ~ 35 min
Třída ochrany	třída A
Rozměry	440 x 330 x (H) 259 mm

POZNÁMKA: Specifikace mohou být změněny bez předchozího upozornění.

Záruka

Jakákoli závada ovlivňující funkčnost spotřebiče, která se projeví do jednoho roku po zakoupení, bude opravena bezplatnou opravou nebo výměnou za předpokladu, že spotřebič byl použit a udržován v souladu s pokyny a nebyl žádným způsobem zneužíván nebo zneužit. Vaše zákonná práva nejsou dotčena. Pokud je spotřebič nárokován v záruce, uveďte, kde

a kdy byl zakoupen, a přiložte doklad o koupi (např. potvrzení).

V souladu s naší politikou neustálého vývoje produktů si vyhrazujeme právo bez předchozího upozornění měnit specifikace produktu, balení a dokumentace.

CZ

Vyřazení a životní prostředí


Při vyřazování spotřebiče z provozu nesmí být výrobek likvidován s jiným domovním odpadem. Místo toho je vaší odpovědností nakládat s odpadním zařízením tak, že je předáte určenému sběrnému místu. Nedodržení tohoto pravidla může být potrestáno v souladu s platnými předpisy o nakládání s odpady. Samostatný sběr a recyklace vašeho odpadního zařízení v době likvidace pomůže šetřit přírodní zdroje a zajistit jejich recyklaci způsobem, který chrání lidské zdraví a životní prostředí.

Pro více informací o tom, kde můžete odložit svůj odpad k recyklaci, kontaktujte místní společnost pro sběr odpadu. Výrobci a dovozci nepřebírají odpovědnost za recyklaci, zpracování a ekologickou likvidaci, a to buď přímo, nebo prostřednictvím veřejného systému.



Zahvaljujemo se vam za nakup naprave Hendi. Pred prvo namestitvijo in uporabo naprave natančno preberite ta priročnik, pri tem pa bodite še posebej pozorni na spodaj opisane varnostne predpise.

Varnostni predpisi

- Ta naprava je namenjena za uporabo v gostinskih lokalih in gospodinjstvih.
- Napravo uporabljajte le za predviden namen, za katerega je bila zasnovana, kot je opisano v tem priročniku.
- Proizvajalec ni odgovoren za škodo, nastalo zaradi nepravilne uporabe ali nepravilne uporabe.
- Naprave in električnega vtiča ne približujte vodi in drugim tekočinam. Če naprava pade v vodo, takoj iztaknite vtič iz vtičnice. Naprave ne uporabljajte, dokler je ne preveri certificirani tehnik. Neupoštevanje teh navodil povzroči življenjsko nevarna tveganja.
- Ohišja naprave nikoli ne odpirajte sami.
- V ohišje naprave ne vstavljajte predmetov.
- Čepa se ne dotikajte z mokrimi ali vlažnimi rokami.
-  **NEVARNOST ELEKTRIČNEGA UDARA!** Naprave ne poskušajte popravljati sami, popravila lahko izvaja samo usposobljeno osebje.
- **Nikoli ne uporabljajte poškodovane naprave!** Če je poškodovan, napravo izključite iz vtičnice in se obrnite na trgovca.
- **OPOZORILO!** Električnih delov naprave ne potaplajte v vodo ali druge tekočine.
- Naprave nikoli ne držite pod tekočo vodo.
- Redno preverjajte, ali sta vtič in kabel morda poškodovana. Če je poškodovana, jo mora zamenjati predstavnik servisne službe ali druga strokovno usposobljena oseba, da se izognete nevarnosti ali poškodbam.
- Zagotovite, da kabel ne pride v stik z ostrimi ali vročimi predmeti in ga hranite pred odprtim ognjem. Napajalnega kabla nikoli ne izvlecite iz vtičnice; vedno ga izvlecite tako, da potegnete za vtič.
- Pazite, da priključni kabel in/ali podaljšek ne povzročita nevarnosti spotaknitve.
- Naprave med uporabo nikoli ne puščajte brez nadzora.
- **OPOZORILO!** Dokler je vtič v vtičnici, je naprava priključena na vir napajanja.
- Vtič vključite v električno vtičnico, ki je lahko dostopna in omogoča takojšen odklop naprave.
- Nikoli ne nosite naprave za kabel.
- Ne uporabljajte nobenih dodatnih naprav, ki niso priložene napravi.
- Napravo priključite v električno vtičnico samo z napetostjo in frekvenco, ki sta navedeni na nalepki naprave.
- Nikoli ne uporabljajte drugih dodatkov, razen tistih, ki jih priporoča proizvajalec. V nasprotnem primeru lahko predstavljate tveganje za uporabnika in poškodujete napravo. Uporabljajte samo originalne dele in dodatke.

- Naprave ne smejo upravljati osebe z zmanjšanimi telesnimi, čutnimi ali razumskimi sposobnostmi ali osebe s pomanjkanjem izkušenj in znanja.
- Naprave v nobenem primeru ne smejo uporabljati otroci.
- Napravo in napajalni kabel hranite zunaj dosega otrok.
- **OPOZORILO:** Pred čiščenjem, vzdrževanjem ali shranjevanjem VEDNO izklopite napravo in iztaknite vtič iz vtičnice.

Posebni varnostni predpisi

- Ta naprava je namenjena pogrevanju, odmrzovanju, pečenju na žaru in kuhanju hrane ali pijače. Sušenje živil ali oblačil ter segrevanje grelnih blazinic, copatov, gobic, vlažnih krp in podobnega lahko vodi do nevarnosti poškodbe, vžiga ognja.
- Napravo uporabljajte le tako, kot je opisano v tem priročniku.
- Ta naprava je namenjena uporabi v gospodinjstvu in podobni vrsti uporabe, npr.:
 - kuhinjah za zaposlene v trgovinah, pisarnah in drugih delovnih okoljih,
 - kmečkih hišah;
 - s strani gostov v hotelih, motelih in drugih stanovanjskih okoljih;
 - kjer nudijo prenočišča z zajtrkom.



BODITE PREVIDNI! Vroča površina! Temperatura vrat in druge dostopne površine je med uporabo zelo visoka. Dotaknite se samo upravljalne plošče.

- Naprave ne uporabljajte brez hrane v notranjosti pečice, ker lahko poškoduje napravo.
- Uporabljajte samo pripomočke, ki so primerni za uporabo v mikrovalovni pečici. Ne uporabljajte posod ali jedilnega pribora, izdelanega iz kovine, aluminijaste folije, svinčevih kristalnih posod, na temperaturo občutljive plastike, lesenih ali kovinskih sponk ali žičnih vezi. Ne uporabljajte skled z rezljenimi obroči ali plastičnimi posodami z delno odstranjenim pokrovom. Nevarnost požara.
- Pri segrevanju hrane v plastičnih ali papirnatih posodah pazite na pečico zaradi možnosti vžiga.
- Če se sprošča dim, izklopite napravo ali iztaknite vtič iz vtičnice in pustite vrata zaprta, da zadušite ogenj.
- Pečice nikoli ne uporabljajte brez vstavljene hrane, saj je zelo nevarna.
- Te mikrovalovne pečice ne uporabljajte pri odprtih vratih, saj lahko to povzroči škodljivo izpostavitvev mikrovalovni pečici. Pomembno je, da varnostnih zapor ne zlomite ali obidete.
- V mikrovalovni pečici ne segrevajte jajc v lupini in celih trdo kuhanih jajc, ker lahko eksplodirajo tudi po končanem gretju mikrovalovne pečice.
- **OPOZORILO:** Če so poškodovana vrata ali tesnila vrat, naprave ne smete uporabljati, dokler je ne popravi pooblaščen strokovnjak.

SL



- **OPOZORILO:** Vsakdo, ki ni pooblaščen serviser, lahko izvede vzdrževalna dela ali popravila, ki vključujejo odstranitev pokrova, ki zagotavlja zaščito pred izpostavljenostjo mikrovalovni energiji.
- **OPOZORILO:** Tekočih in drugih živil ne segrevajte v zatesnjenih posodah, ker lahko eksplodirajo.
- **OPOZORILO:** Vsebinsko otroških steklenič in kozarcev z otroško hrano premešajte ali pretresite ter pred uporabo preverite temperaturo, da preprečite opekline.
- **OPOZORILO:** Če v mikrovalovni pečici segrevate pijače, lahko pride do močnega zakasnjenege vrenja, zato bodite pri rokovanju s posodo previdni.
- Naprava je namenjena samostojni uporabi. Ne blokirajte nobenih prezračevalnih odprtin. Informacije o zadostnem prostoru (zgornji/zadnji/stranski) za zadostno kroženje zraka lahko najdete v poglavju »Pred uporabo«.
- Posoda se lahko segreje zaradi segrete hrane. Uporabite zaščitne rokavice (niso priložene), da iz naprave vzamete hrano.
- Mikrovalovno pečico je treba redno čistiti in odstraniti vse ostanke hrane.
- Če naprave ne vzdržujete v dobrem stanju in čistoče, lahko to negativno vpliva na življenjsko dobo naprave in v morebitnih nevarnih razmerah.
- Notranjosti pečice ne uporabljajte za shranjevanje. V notranjosti pečice ne shranjujte izdelkov, kot so kruh, piškoti itd.
- Ta mikrovalovna pečica ni namenjena upravljanju z zunanjo programsko uro ali z ločenim sistemom za daljinsko upravljanje.
- Živila nežno položite v mikrovalovno pečico, da ne poškodujete steklenega vrtljivega pladnja.
- **BODITE PREVIDNI!** Po potrebi varno speljite napajalni kabel, da preprečite nenamerno vlečenje ali stik z grelno površino.
- Naprave ne perite z vodo. Umivanje lahko povzroči puščanje in poveča nevarnost električnega udara.
- Naprave ne čistite ali shranjujte, razen če je povsem ohlajena.
- Nobeni deli niso primerni za pomivanje v pomivalnem stroju.

Namen uporabe

- Ta naprava je namenjena za uporabo v gostinskih lokalih in gospodinjstvih.
- Mikrovalovna pečica je zasnovana samo za segrevanje in odtaljevanje živil z uporabo ustreznih jedi. Kakršna koli druga uporaba lahko povzroči poškodbe mikrovalovne pečice ali telesnih poškodb.
- Upravljanje naprave za kakršen koli drug namen se šteje za zlorabo naprave. Uporabnik je izključno odgovoren za neprimerno uporabo naprave.

Ozemljitev

Ta naprava je razvrščena kot **zaščita razreda I** in mora biti priključena na zaščitno ozemljitev. Ozemljitev zmanjša nevarnost električnega udara, tako da zagotovi evakuacijsko žico za

električni tok. Naprava ima vgrajen električni kabel z ozemljitveno žico in vtičem. Vtič morate vtakniti v vtičnico, ki je pravilno nameščena in ozemljena.

Pripomočki

Obstajajo lahko nekateri nekovinski pripomočki, ki niso varni za uporabo s to mikrovalovno pečico. Če ste v dvomih, lahko pripomoček preizkusite po spodnjem postopku.

Preizkus pripomočkov:

V mikrovalovno pečico postavite posodo, varno za mikrovalovno pečico, z 1 skodelico hladne vode (približno 250 ml) in pripomočkom. Eno minuto kuhajte z največjo močjo. Previdno ob-

čutite pripomoček. Če se pripomočki segrejejo, jih NE uporabljajte z mikrovalovi. Pripomočka ne pripravljajte več kot 1 minuto.

Vodnik po pripomočkih za kuhanje

Pod splošnim vodnikom, ki vam pomaga izbrati primerne pripomočke:

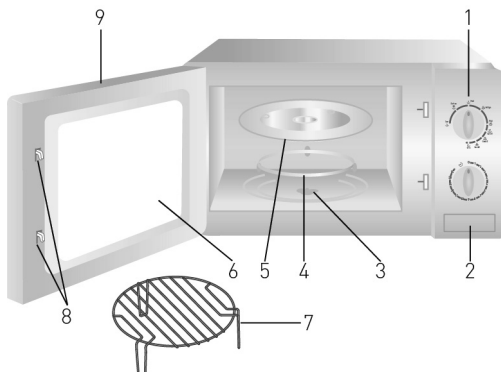
Posoda za pečenje	Način delovanja z mikrovalovi	Način žara	Kombinirani način	Opomba
Toplotno odporno steklo	√	√	√	
Steklo, ki ni odporno proti vročini	x	x	x	
Toplotno odporna keramika	√	√	√	
Plastične posode, varne za uporabo v mikrovalovni pečici	√	x	x	Ni primerno za visoko temperaturo.
Kuhinjski papir	√	x	x	Kratko trajanje samo za ogrevanje. Namenska uporaba.
Kovinski pladenj	x	√	x	Pri uporabi v mikrovalovni pečici pride do iskrenja.
Kovinsko stojalo	x	√	x	
Aluminijasta folija in posode	x	√	x	

√: Primerno za uporabo v ustreznem načinu. Upoštevajte navodila proizvajalca in z odstranjenim pokrovom. Ne uporabljajte, če je površina razpokana ali poškodovana.
x: Ni primerno za uporabo v ustreznem načinu.

SL

Glavni deli naprave

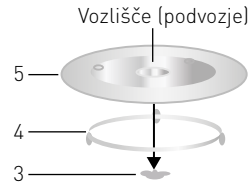
1. Nadzorna plošča (glejte sliko1)
2. Gumb za odpiranje vrat
3. Gred vrtljivega pladnja
4. Valj vrtljivega pladnja
5. Stekleni vrtljivi pladenj
6. Stekлено okno
7. Rešetka za žar
(Uporaba samo v načinu žara)
8. Mehanizem za zaklepanje vrat
9. Vrata



Namestitev vrtljivega pladnja

- Steklene vrtljive plošče (5) nikoli ne postavljajte obrnjene navzdol.
- Med kuhanjem morate uporabljati valjček (4) in steklen vrtljivi pladenj (5).
- Za kuhanje morate vsa živila in pijače postaviti na steklen vrtljivi pladenj (5).
- Namestite valj vrtljivega pladnja (4), steklen vrtljivi pladenj (5) navpično z gredjo vrtljivega pladnja (3). Prepričajte se, da se gladko vrtijo.
- Po vsaki uporabi očistite steklen vrtljivi pladenj (5).
- **POZOR:** NE uporabljajte mikrovalovne pečice, če je stekleni vrtljivi pladenj (5) ali valjček vrtljivega pladnja (4) razpoke ali poškodbe, se takoj obrnite na dobavitelja.

- Uporabljajte samo priloženi valjček (4) in steklen vrtljivi pladenj (5).
- Use only the supplied turntable roller (4) and glass turntable (5).



Priprava pred prvo uporabo

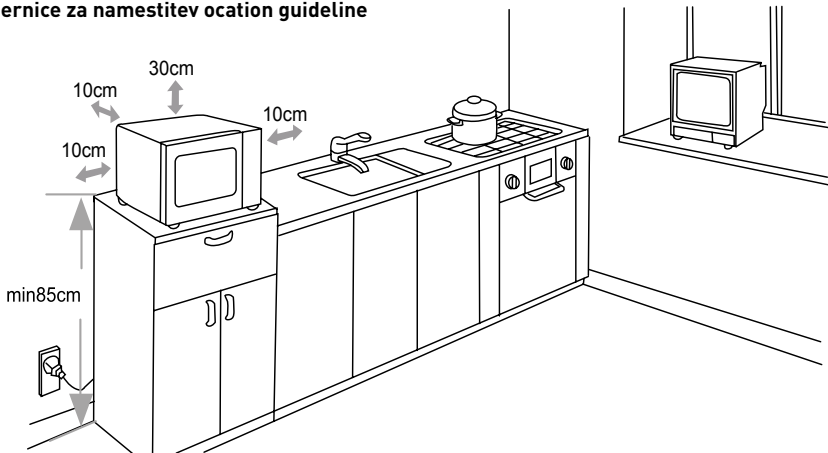
- Odstranite vso zaščitno ovojnino in ovojnino.
- Preverite, ali je naprava nepoškodovana. V primeru nepopolne dostave ali škode. Obrnite se na dobavitelja in naprave NE uporabljajte (glejte => garancija).
- Embalažo hranite, če nameravate napravo shraniti v prihodnje.
- Pred uporabo očistite napravo (glejte ==> Čiščenje in vzdrževanje).
- Prepričajte se, da je naprava povsem suha.
- Napravo postavite na vodoravno, stabilno in

proti vročini odporno površino, ki je varna pred brizganjem vode.

- Naprave ne nameščajte v bližino naprav, ki so občutljive na motnje magnetnih virov (npr. radijev, lepilnih ohišij).

OPOMBA: Zaradi ostankov pri proizvodnji lahko naprava med prvimi nekaj uporabami oddaja rahel vonj. To je normalno in ne pomeni okvare ali nevarnosti. Prepričajte se, da je naprava dobro prezračena.

Smernice za namestitev ocation guideline



Delovanje

- Mikrovalovno pečico postavite na ravno, stabilno, toplotno odporno in suho vodoravno površino. Pustite prostor za zadosten pretok zraka:
 - nad mikrovalovno pečico: 30 cm
 - na zadnji strani: 10 cm
 - na obeh straneh : 10 cm
- Odprite vrata mikrovalovne pečice (9) s pritiskom gumba za sprostitve vrat (2).
- Valj vrtljivega pladnja (4) in steklen vrtljivega pladnja (5) postavite na pravo mesto. V nasprotnem primeru se ne more gladko vrteti. (Glejte ==> Namestitve vrtljivega pladnja).
- Vtič priključite v ustrezno električno vtičnico.

OPOMBE:

- Mikrovalovne pečice ne postavljajte na mesta, kjer nastajajo vročina, vlaga ali visoka vla-

ga, ali v bližino vnetljivih materialov.

- Prepričajte se, da je napajalni kabel nepoškodovan in da ne deluje pod mikrovalovno pečico ali prek vročih ali ostrih površin.
- Vtič mora biti lahko dostopen, da ga lahko v sili preprosto izključite.
- **POZOR:** Rešetko za žar (7) lahko uporabljate samo v načinu žara.
- Steklen vrtljiv pladenj (5) uporabljajte v vseh načinih: Načini mikrovalov, žara in kombinacij.
- Pri uporabi z rešetko za žar (7) uporabljajte primerne jedi, da se ne boste dotikali sten naprave.
- Hrano postavite v posodo in zaprite vrata (9).

Nastavitev stopnje moči in programske ure:

- Nastavite moč pečenja, tako da obrnete gumb za nastavitev moči na zeleno stopnjo moči na upravljalni plošči (1). (Način mikrovalov, kombinacija ali način žara).
- Nastavite čas pečenja (razpon: 0 min ~ 35 min.), tako da obrnete gumb programske ure na zeleni čas pečenja.
- Mikrovalovna pečica samodejno začne s pripravo hrane, ko sta nastavljeni moč in programska ura.
- Po izteku nastavljenega časa pečenja se zasliši »Dong« (Dong) in pečenje se konča.
- Zdaj lahko vzamete ven hrano. Po potrebi uporabite zaščitne rokavice (niso priložene). Pazite na vročo površino.
- Če naprave ne uporabljate, vedno nastavite programsko uro v položaj »0«.

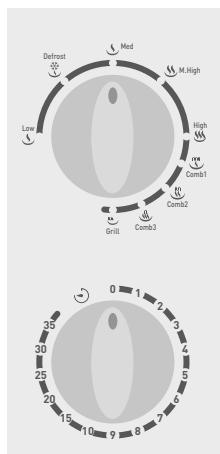


Fig. 1

Funkcija	Približna izhodna moč	Uporaba aplikacije
Nizka	120W	Mehčanje sladoleada
Odmrzovanje	230W	Juha, mehčanje masla ali odtaljevanje
Med	385W	Žita, riba
M. Visoka	540W	Riž, ribe, piščanec, mletu meso
Visoka	700W	Pogrevanje mleka, zelenjave, prekuhanje vode, pijača

OPOMBA: Zgornja tabela, ki prikazuje stopnjo moči, se nanaša samo na moč mikrovalov in ne na porabo žara ali energije naprave. Aplikacija je samo informativne narave.



Funkcija	Delovanje	Uporaba aplikacije
Comb1	80 % časa: žar; 20 % čas: mikrovalovna pečica	Peka zrezkov, mletega mesa, kebab, klobas in piščančjih delov.
Comb2	70% čas: žar; 30% časa: mikrovalovna pečica	Piščančji koščki, svinjske zarebrnice, ribe
Comb3	60 % časa: žar; 40 % časa: mikrovalovna pečica	Pudingi, omete, podprto korenje in zelenjava.
Žar	100 % čas: žar	Pečen kruh, narezana hrana

OPOMBA:

- Zgornja tabela prikazuje delovanje med kombiniranjem in načinom žara.
- Ko vzamete hrano iz naprave, izklopite napravo, tako da obrnete programsko uro v položaj »0«. V nasprotnem primeru lahko pride do poškodb naprave.
- Nad dvema tabelama sta samo v vednost. Dejanski čas kuhanja in nastavitev moči se razlikujeta glede na želeni učinek kuhanja. Po potrebi ročno spremenite čas kuhanja in nastavitev moči.

Nasveti za kuhanje

- To napravo lahko odprete kadarkoli med stopkom kuhanja. Morda boste morali na primer obrniti ali premešati hrano ali preveriti, ali je bila hrana dobro skuhanjena ali ne.
- Postopek kuhanja zaključite tako, da ročno nastavite programsko uro v položaj »0«.
- Zdaj lahko vzamete ven hrano. Po potrebi uporabite zaščitne rokavice (niso priložene). Pazite na vročo površino.
- Če naprave ne uporabljate, vedno nastavite programsko uro v položaj »0«.

SL

Čiščenje in vzdrževanje

POZOR: Pred čiščenjem in shranjevanjem napravo vedno izklopite iz električne vtičnice in pustite, da se povsem ohladi.

Čiščenje

- Naprave nikoli ne potaplajte v vodo ali druge tekočine.
- Ohlajeno zunanjo površino očistite z rahlo vlažno krpo ali gobico z blago milnico.
- Za čiščenje notranjih ali zunanjih delov naprave nikoli ne uporabljajte grobih gobic ali čistil, jeklene volne ali kovinskih pripomočkov.
- Steklen vrtljiv pladenj (5) lahko odstranite, da ga očistite. Pri čiščenju steklenega vrtljivega pladnja (5) bodite zelo previdni, da preprečite poškodbe. Očistite ga s toplo milnico.
- Valj vrtljivega pladnja (4) in spodnji del pečice je treba redno čistiti zaradi higienskega razloga, ko pa vrtljivi pladenj deluje nemoteno.
- Svetilko v pečici je mogoče zamenjati. Vendar mora to storiti pooblaščen serviser.

Shranjevanje

- Pred shranjevanjem vedno preverite, ali je bila naprava izključena iz električne vtičnice in povsem ohlajena.
- Napravo hranite na hladnem, čistem in suhem mestu.



Odpravljanje težav

Če naprava ne deluje pravilno, v spodnji razpredelnici preverite rešitev. Če težave še vedno ne morete rešiti, se obrnite na dobavitelja/ponudnika storitev.

Težave	Možen vzrok	Možna rešitev
Naprava se ne vklopi.	<ul style="list-style-type: none">- Vtič ni pravilno vtaknjen v električno vtičnico.- Programska ura je nastavljena na položaj »0«.- Vrata (9) niso povsem zaprta.	<ul style="list-style-type: none">- Preverite, ali je vtič pravilno priključen.- Nastavite programsko uro na zeleni čas pečenja.- Prepričajte se, da so vrata (9) zaprta in zaklenjena.
Steklena vrtljiva plošča (4) med delovanjem povzroča hrup.	<ul style="list-style-type: none">- Steklena vrtljiva plošča (5) ni nameščena pravilno.- Dno pečice ni ravno zaradi ostankov hrane.	<ul style="list-style-type: none">- Preverite, ali je steklena vrtljiva plošča (5) pravilno nameščena.- Očistite dno pečice, da se prepričate, da je ravno.

Tehnične specifikacije

Št. izdelka	281710
Delovna napetost in frekvenca	230V~ 50Hz
Frekvenca mikrovalov	2450 MHz
Nazivna vhodna moč (metoda)	1050 Z
Nazivna izhodna moč (metoda)	700 W
Nazivna vhodna moč (žar)	1000 Z
Zmogljivost pečice	20 litrov
Nastavitev programske ure	0 min ~ 35 min
Razred zaščite	razred I
Mera	440 x 330 x (V) 259 mm

OPOMBA: Tehnične specifikacije se lahko spremenijo brez predhodnega obvestila.

Garancija

Okvare, ki vplivajo na funkcionalnost naprave in se pojavijo v enem letu po nakupu, se popravijo s brezplačnim popravilom ali zamenjavo, če je bila naprava uporabljena in se je ohranila v skladu z navodili in ni bila zlorabljena ali napačno uporabljena. To ne vpliva na vaše zakonske pravice. Če je za napravo veljala garancija,

navedite, kje in kdaj je bila kupljena, in priložite dokazilo o nakupu (npr. račun).

Skladno z našo politiko nenehnega razvoja izdelkov si pridržujemo pravico do spremembe izdelka, embalaže in specifikacij dokumentacije brez predhodnega obvestila.

Odstranjevanje in okolje

Med odstranjevanjem naprave ne odvrzite izdelka skupaj z drugimi gospodinjstskimi odpadki. Namesto tega ste sami odgovorni, da odpadno opremo odvržete na ustrezno zbirno mesto. Neupoštevanje tega pravila lahko kaznuje v skladu z veljavnimi predpisi o odlaganju odpadkov. Ločeno zbiranje in recikliranje vaše odpadne opreme v času odlaganja bo pomagalo ohraniti naravne vire in zagotoviti, da se reciklira na način, ki varuje zdravje ljudi in okolje.

Za več informacij o tem, kam lahko odložite svoje odpadke za recikliranje, se obrnite na lokalno podjetje za zbiranje odpadkov. Proizvajalci in uvozniki ne prevzemajo odgovornosti za recikliranje, obdelavo in ekološko odstranjevanje, bodisi neposredno bodisi prek javnega sistema.





HENDI

Tools for Chefs

Hendi B.V.

Innovatielaan 6

6745 XW De Klomp, The Netherlands

Tel: +31 317 681 040

Email: info@hendi.eu

PKS Hendi South East Europe SA

5 Metsovou Str.

18346 Moschato, Athens, Greece

Tel: +30 210 4839700

Email: info@pks-hendi.com

Hendi Polska Sp. z o.o.

ul. Firmowa 12

62-023 Robakowo, Poland

Tel: +48 61 658 7000

Email: info@hendi.pl

Hendi Italia S.R.L.

Via Leonardo da Vinci 4

39100 Bolzano (BZ), Italy

Tel: +39 800 727 438

Email: office.italy@hendi.eu

Hendi Food Service Equipment GmbH

Ehring 15

5112 Lamprechtshausen, Austria

Tel: +43 6274 200 10 0

Email: office.austria@hendi.eu

Hendi HK Ltd.

1208, 12/F Exchange Tower

33 Wang Chiu Road, Kowloon Bay, Hong Kong

Tel: +852 2154 2618

Email: info-hk@hendi.eu

Hendi Food Service Equipment Romania S.R.L.

Str. 13 decembrie 94A, Hala 14

Braşov, 500164, Romania

Tel: +40 268 320330

Email: office@hendi.ro

Find Hendi on internet:

www.hendi.eu

www.facebook.com/HendiToolsforChefs

www.linkedin.com/company/hendi-food-service-equipment-b.v.

www.youtube.com/HendiEquipment

- Changes, printing and typesetting errors reserved.
- Änderungen und Druckfehler vorbehalten.
- Wijzigingen en drukfouten voorbehouden.
- Producent zastrzega sobie prawo do zmian oraz błędów drukarskich w instrukcji.
- Variations et fautes d'impression réservés.

- Errori di cambiamenti, di stampa e di impaginazione riservati.
- Drepturi rezervate cu privire la modificări și greșeli de imprimare.
- Изменения, печати и верстки ошибки защищены.
- Με επιφύλαξη αλλαγών, λαθών εκτύπωσης και στοιχειοθεσίας.
- Změny, chyby tisku a sazby vyhrazeny.